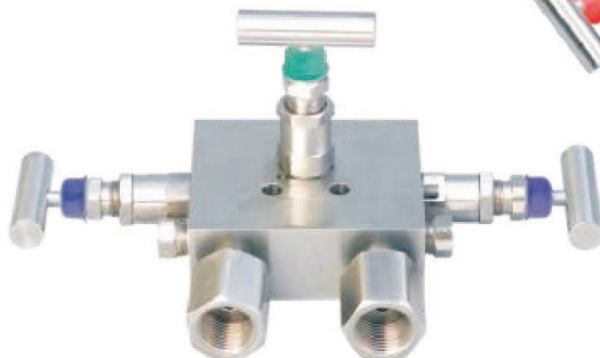
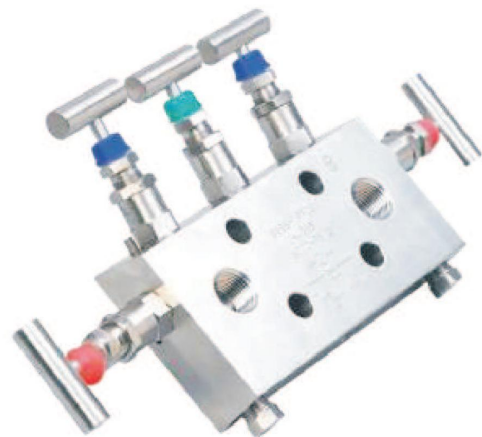
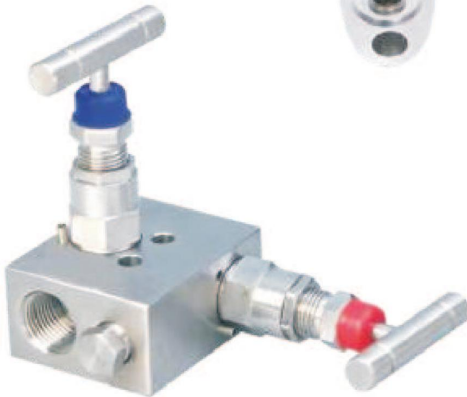


MANIFOLDS

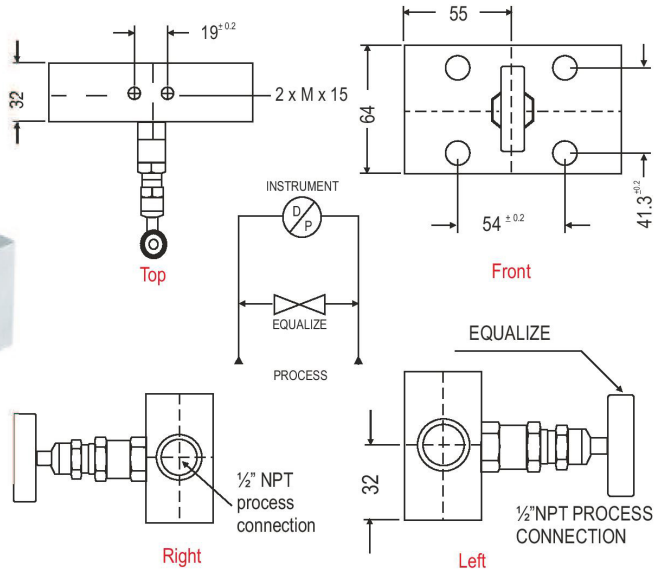


SINGLE VALVE MANIFOLDS



SE-SVH

With threaded horizontal port inlet and outlet and Flange instrument connection with 54 mm centre bolting. The equal-izing bonnet is positioned on the frontside.

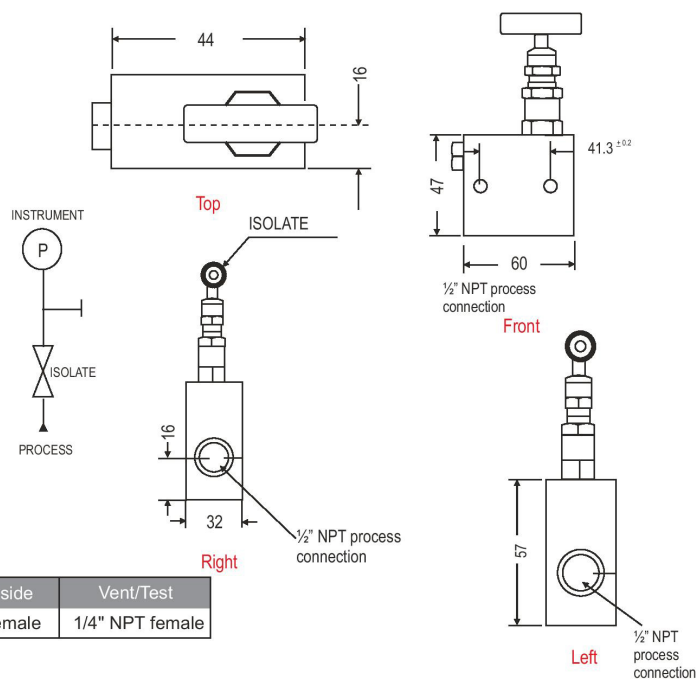


Standard connection

Product	Process side	Instrument side
SE-SVH	1/2" NPT female	Flange

SE-SVV

With threaded horizontal port inlet, outlet and vent/test connection located at the right hand side. The venting bonnet is positioned on the top.



Standard connection

Product	Process side	Instrument side	Vent/Test
SE-SVV	1/2" NPT female	1/2" NPT female	1/4" NPT female



SINGLE VALVE MANIFOLDS



Standard version specifications of model SVH, SVV

Body	: SS 316
Stem	: SS 316
Valve assembly	: SS 316
'T' bar handle	: SS 304
Maximum working pressure	: 6000 psi
Maximum working temperature:	240°C
Packing	: PTFE (Grafoil to be used for temperature above 240 c till 550c)
Type of stem	: Type CT; Stem with conical metal tip
Drain port	: 1/4" NPT [F]; provided with SS 316 plug [not available in model SVV]
Bracket mounting holes	: 2 Nos.. of 7 mm diameter [not available in model SVH]
Chrome plating	: Provided on stem tip

How to order : Valve Type - SVH, SVV

Body Material	Stem Type	Stem Packing	Size = Inlet x Outlet	Connections	Threads
C = Carbon Steel	CT(std)	P = PTFE(std)	24 = 1/4" x 1/4"	FF = Female x Female(Std)	N = NPT to ANSI B1.20.1
S = SS 316(std)	DS	G = Grafoil	33 = 3/8" x 3/8"	SW = Socket Weld	P = BSPPto BS2779
SL = SS 316L			44 = 1/2" x 1/2" (std)	FD = Female x Flange	B = BSPT to BS21
M = Monel 400			2F = 1/4"x Flange	(54mm)	
H = Hastelloy C			3F = 3/8"x Flange		
			4F = 1/2"x Flange		

Options

- GH : Material test certificate
- GO : Hydrotest test certificate
- MBC : Mounting bolts [7/16" UNF] in carbon steel
- MBS : Mounting bolts [7/16" UNF] in SS
- IE : Circular plastic.
- TF : Sour gas service to NACE standard MR-01-75.
- SG : Oxygen service. (manifolds are supplied cleaned and degreased)
- DS : Valves with stem having soft conical and delrin tip rolled into the needle for gas service.

Example

To place an order simply refer to the codes in the table.

Valve Type	+	Body Material	+	Stem Type	+	Stem Packing	+	Size	+	Connections	+	Threads	+	Options
SVH	+	S	+	CT	+	P	+	44	+	FF	+	N	=	Final Order

NOTE:

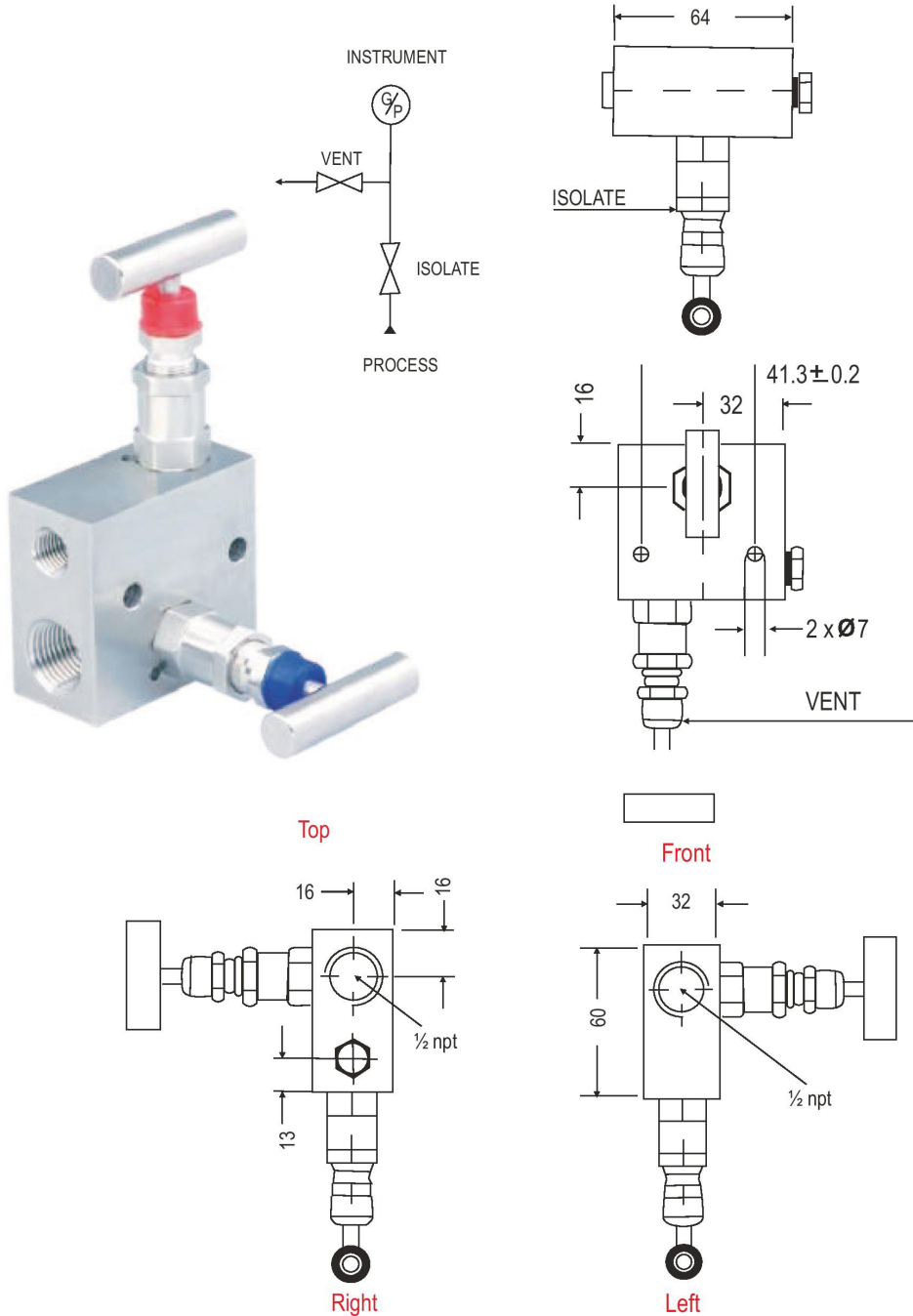
- The weld prepared types are available with female plain end - suitable for socket weld.
- Anti-tamper bonnet - special design on request with locking arrangement if desired.



TWO VALVE MANIFOLDS

SE-2VH

With threaded horizontal port inlet, outlet and vent/test connection on the left hand side. The venting bonnet is positioned on the top and the isolating bonnet on the front.



Standard connection

Product	Process side	Instrument side	Vent/Test
SE-2VH	1/2" NPT female	1/2" NPT female	1/4" NPT female

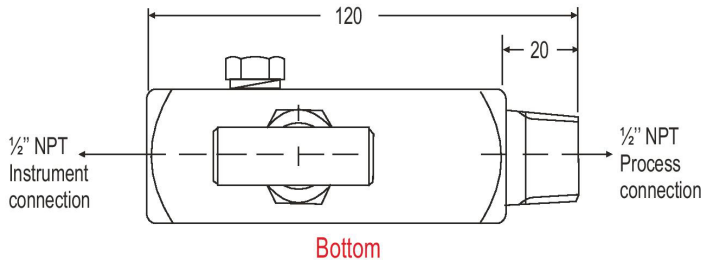
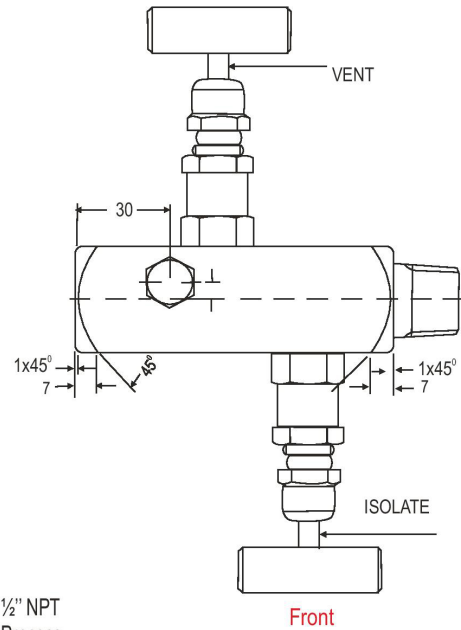
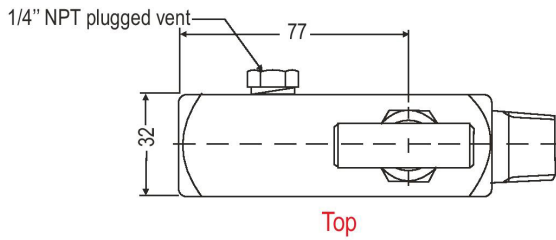
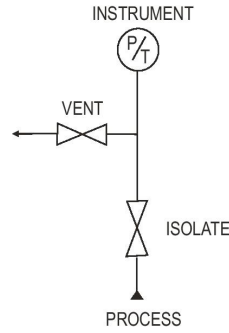


TWO VALVE MANIFOLDS



SE-2VT

With threaded vertical port inlet and female outlet. The vent/test connection is positioned on the front side. The venting bonnet is positioned on the right hand side and the isolating bonnet on left hand side.



Standard connection

Product	Process side	Instrument side	Vent/Test
SE-2VT	1/2" NPT male	1/2" NPT female	1/4" NPT female

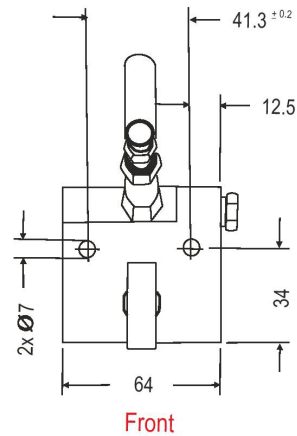
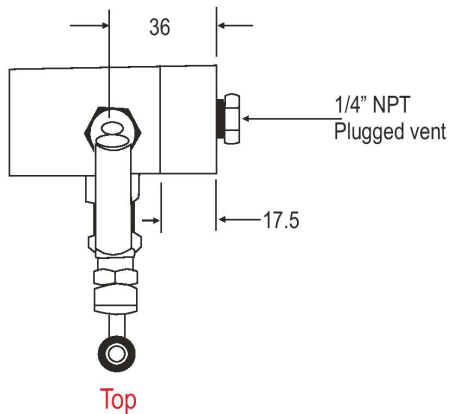
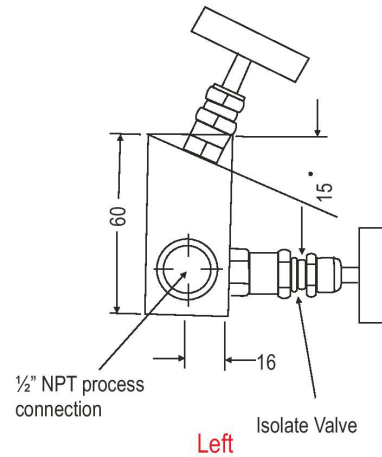
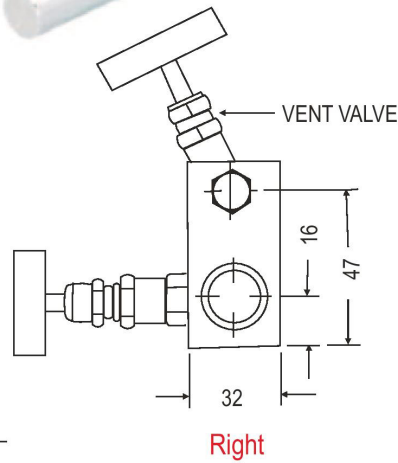
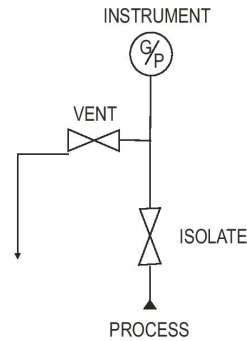
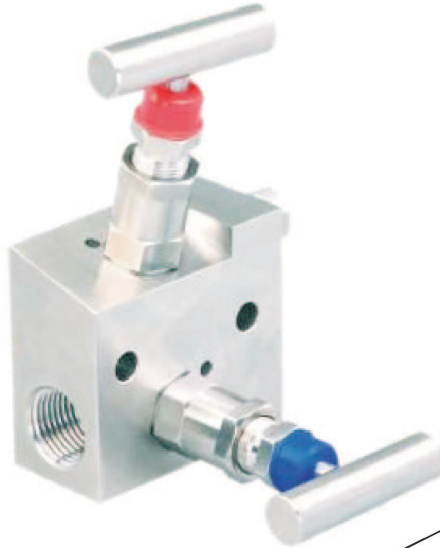


TWO VALVE MANIFOLDS



SE-2VA

With threaded horizontal port inlet and outlet and vent/test connection on the right hand side. The venting bonnet is positioned angular on the top and the isolating bonnet on the front.



Standard connection

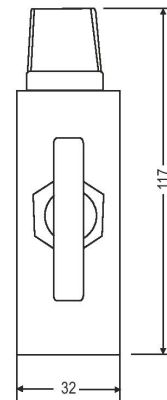
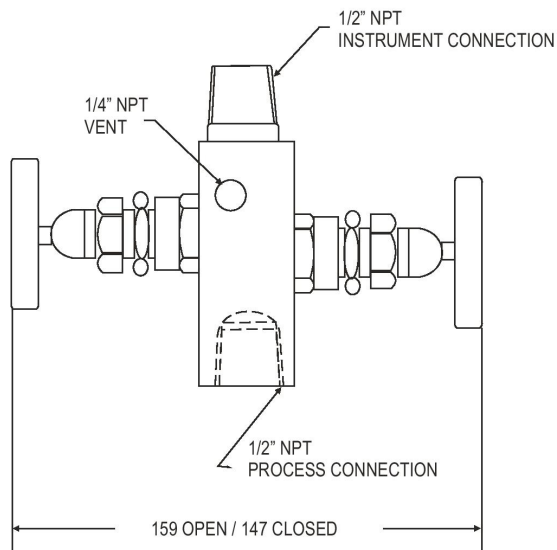
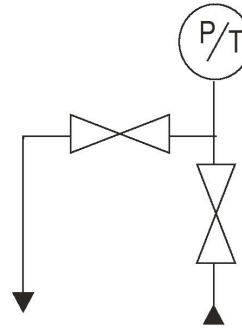
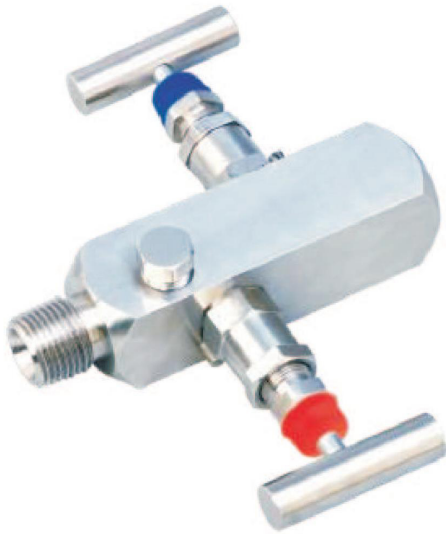
Product	Process side	Instrument side	Vent/Test
SE-2VA	1/2" NPT female	1/2" NPT female	1/4" NPT female



TWO VALVE MANIFOLDS



SE-2VTF With the vent is positioned near the male instrument connection side.



Standard connection

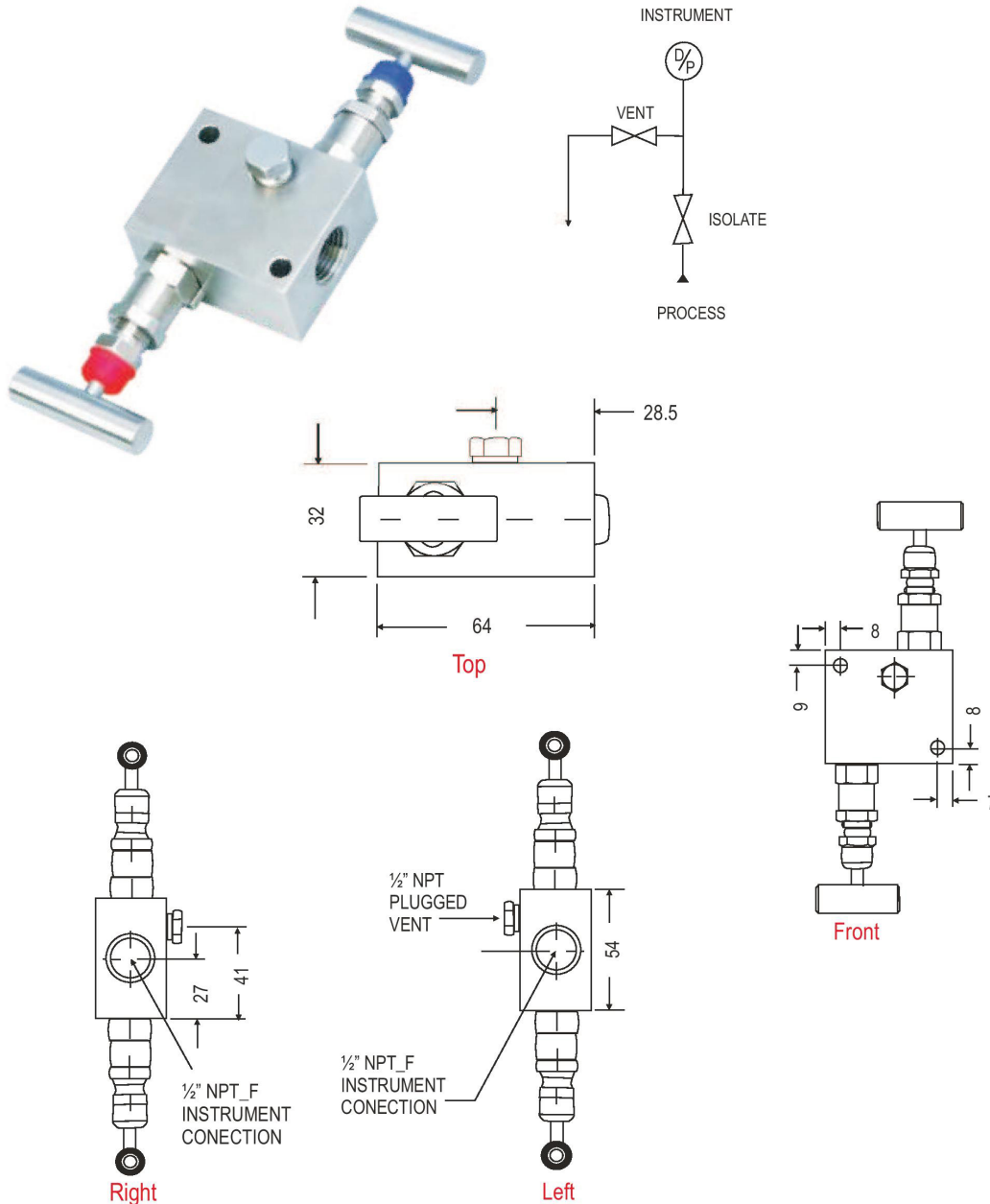
Product	Process side	Instrument side	Vent/Test
SE-2VTF	1/2" NPT Female	1/2" NPT Male	1/4" NPT Female



TWO VALVE MANIFOLDS

SE-2VS

With threaded vertical port inlet and outlet. The vent/test connection is positioned on the front side. The drain bonnet is positioned on the right hand side and the isolating bonnet on the left hand side.



Standard connection

Product	Process side	Instrument side	Vent/Test
SE-2VS	1/2" NPT female	1/2" NPT female	1/4" NPT female

Remote or direct mounting by means of threaded connections.

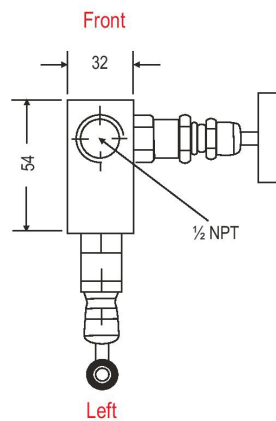
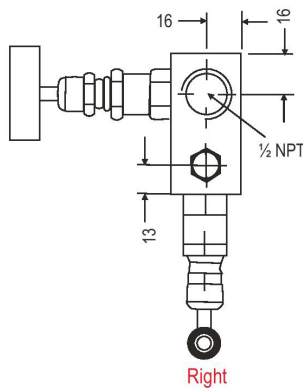
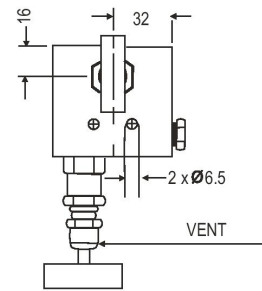
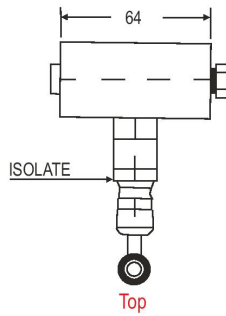
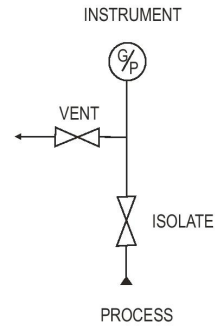
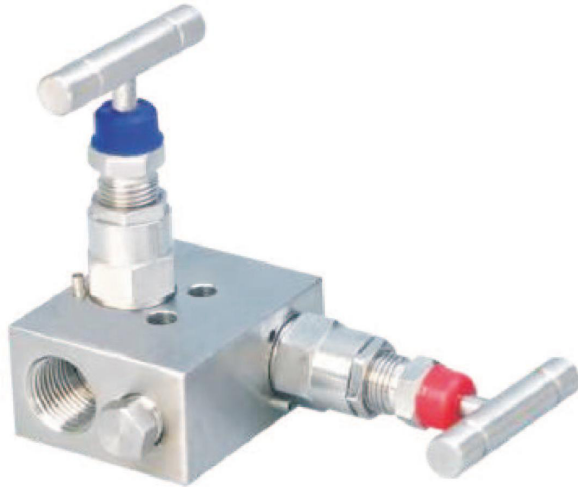


TWO VALVE MANIFOLDS



SE-2VM

With threaded horizontal port inlet, outlet and vent/test connection on the left hand side. The venting bonnet is positioned on the top and the isolating bonnet on the front.



Standard connection

Product	Process side	Instrument side	Vent/Test
SE-2VM	1/2" NPT female	1/2" NPT female	1/4" NPT female



TWO VALVE MANIFOLDS



Standard version specifications of model 2VH,2VT, 2VTF, 2VA, 2VS, 2VM

Body	: SS 316
Stem	: SS 316
Valve assembly	: SS 316
'T' bar handle	: SS 304
Maximum working pressure	: 6000 psi
Maximum working temperature:	240°C
Packing	: PTFE (Grafoil to be used for temperature above 240°C till 550°C)
Type of stem	: Type CT; Stem with conical metal tip
Drain port	: 1/4" NPT [F]; provided with SS 316 plug
Bracket mounting holes	: 2 Nos. (Not available in models 2V,T2VTF)
Chrome plating	: Provided on stem tip and female threads of valve.

How to order : Valve Type - 2VH,2VT, 2VTF, 2VA, 2VS, 2VM

Body Material	Stem Type	Stem Packing	Size = Inlet x Outlet	Connections	Threads
C = Carbon Steel	CT	P = PTFE	24 = 1/4" x 1/4"	MF = Male x Female	N = NPT to ANSI B1.20.1
S = SS 316	DS	G = Grafoil	33 = 3/8" x 3/8"	FF = Female x Female	P = BSPP to BS2779
SL = SS 316L			44 = 1/2" x 1/2"	SW = Socket weld	B = BSPT to BS21
M = Monel 400			66 = 3/4" x 1/2"	FM = Female x Male	
H = Hastelloy C			2F = 1/4"x Flange		
			3F = 3/8"x Flange		
			4F = 1/2"x Flange		

Options

- ! GH : Material test certificate
- ! GO : Hydrotest test certificate
- ! IE : Circular plastic.
- ! TF : Sour gas service to NACE standard MR-01-75.
- ! SG : Oxygen service. (manifolds are supplied cleaned and degreased)
- ! DS : Valves with stem having soft conical and delrin tip rolled into the needle for gas service.
- ! MB : Mounting bracket
- ! MBC : Mounting bolts [7/16" UNF] in carbon steel
- ! MBS : Mounting bolts [7/16" UNF] in SS

Example

To place an order simply refer to the codes in the table.

Valve Type : Body Material + Stem Type + Stem Packing + Size + Connections + Threads + Options

2VA : S + CT + P + 44 + FF + N = FINAL ORDER

NOTE:

- The weld prepared types are available with female plain end - suitable for socket weld.
- Anti-tamper bonnet - special design on request with locking arrangement if desired.

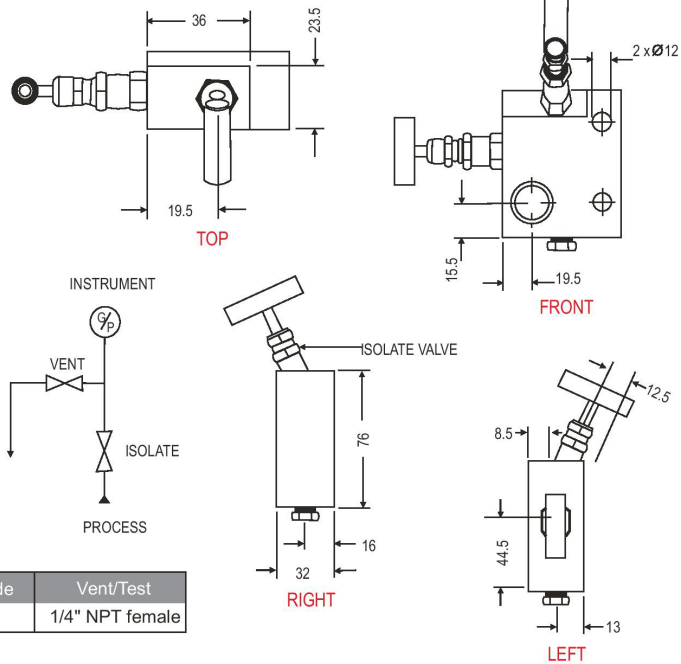


TWO VALVE MANIFOLDS



SE-2VF

With threaded horizontal port inlet with a Flange outlet instrument connection. A vent/test port on base. The venting bonnet is positioned on the left hand side and the isolating bonnet angular on the top.



Standard connection

Product	Process Side	Instrument Side	Vent/Test
SE-2VF	1/2" NPT female	Flanged	1/4" NPT female

Standard version specifications of model 2VF

- Body : SS 316
- Stem : SS 316
- Valve assembly : SS 316
- 'T' bar handle : SS 304
- Maximum working pressure : 6000 psi
- Maximum working temperature: 240°C
- Packing : PTFE (Grafoil to be used for temperature above 240°C till 550°C)
- Type of stem : Type CT; Stem with conical metal tip
- Drain port : 1/4" NPT [F]; provided with SS 316 plug
- Bracket mounting holes : 2 Nos.
- Chrome plating : Provided on stem tip.



TWO VALVE MANIFOLDS



How to order : Valve Type - 2VF

Body Material	Stem Type	Stem Packing	Size = Inlet x Outlet	Connections	Threads
C = Carbon Steel	CT	P = PTFE	24 = 1/4" x 1/4"	MF = Male x Female	N = NPT to ANSI B1.20.1
S = SS 316	DS	G = Grafoil	33 = 3/8" x 3/8"	FF = Female x Female	P = BSPP to BS2779
SL = SS 316L			44 = 1/2" x 1/2"	SW = Socket weld	B = BSPT to BS21
M = Monel 400			66 = 3/4" x 1/2"	FM = Female x Male	
H = Hastelloy C			2F = 1/4"x Flange		
			3F = 3/8"x Flange		
			4F = 1/2"x Flange		

Options

- ! GH : Material test certificate
- ! GO : Hydrotest test certificate
- ! IE : Circular plastic.
- ! TF : Sour gas service to NACE standard MR-01-75.
- ! SG : Oxygen service. (manifolds are supplied cleaned and degreased)
- ! DS : Valves with stem having soft conical and delrin tip rolled into the needle for gas service.
- ! MB : Mounting bracket
- ! MBC : Mounting bolts [7/16" UNF] in carbon steel
- ! MBS : Mounting bolts [7/16" UNF] in SS

Example

To place an order simply refer to the codes in the table.

Valve Type : Body Material + Stem Type + Stem Packing + Size + Connections + Threads + Options

2VF : S + CT + P + 44 + FF + N = FINAL ORDER

NOTE:

- The weld prepared types are available with female plain end - suitable for socket weld.
- Anti-tamper bonnet - special design on request with locking arrangement if desired.

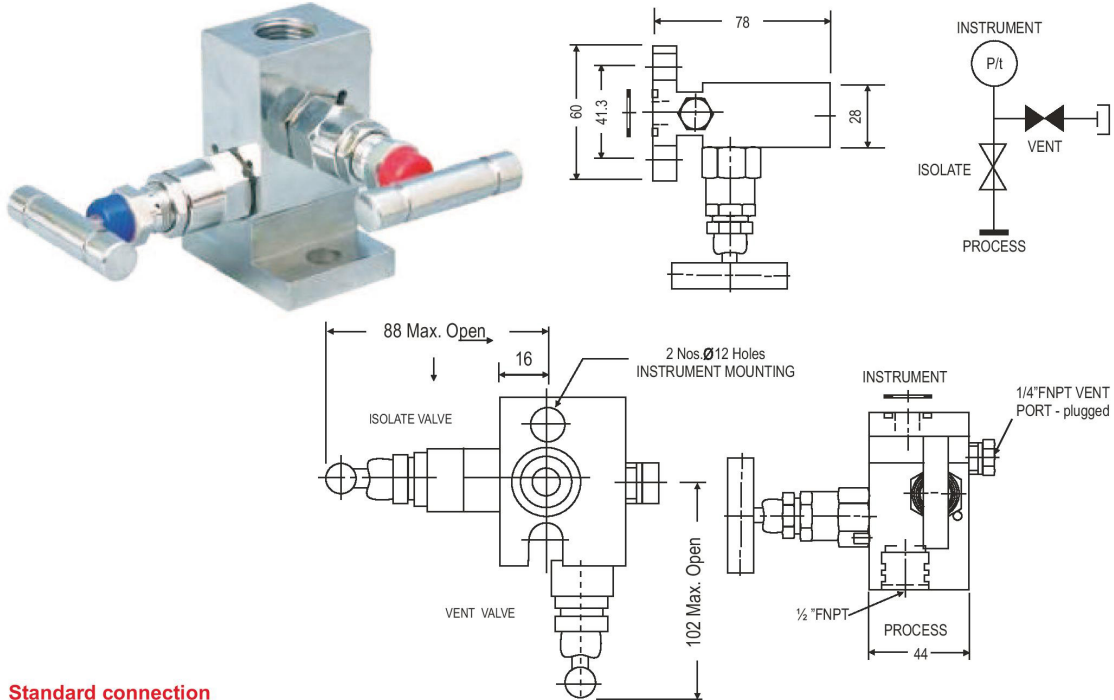


TWO VALVE MANIFOLDS



SE-2VQ

With threaded horizontal port inlet on the front side and Flange outlet on the back side, test connection on the body. The isolating bonnet are positioned on the left and right hand side and the Equalizing Bonnet is positioned on the top.



Standard connection

Product	Process side	Instrument side	Vent/Test
SE-2VQ	1/2" NPT female	Flange	1/4" NPT female

Standard version specifications of model 2VQ

- Body : SS 316
- Stem : SS 316
- Valve assembly : SS 316
- 'T' bar handle : SS 304
- Maximum working pressure : 6000 psi
- Maximum working temperature: 240°C
- Packing : PTFE (Grafoil to be used for temperature above 240°C till 550°C)
- Type of stem : Type CT; Stem with conical metal tip
- Drain port : 1/4" NPT [F]; provided with SS 316 plug
- Chrome plating : Provided on stem tip



TWO VALVE MANIFOLDS



How to order : Valve Type - 2VQ

Body Material	Stem Type	Stem Packing	Size = Inlet x Outlet	Connections	Threads
C = Carbon Steel	CT	P = PTFE	2F = 1/4"x Flange	FF = Female x Female	N = NPT to ANSI B1.20.1
S = SS 316	DS	G = Grafoil	3F = 3/8"x Flange	SW = Socket weld	P = BSPP to BS2779
SL = SS 316L			4F = 1/2"x Flange (std)		B = BSPT to BS21
M = Monel 400					
H = Hastelloy C					

Options

- ! GH : Material test certificate
- ! GO : Hydrotest test certificate
- ! IE : Circular plastic.
- ! TF : Sour gas service to NACE standard MR-01-75.
- ! SG : Oxygen service. (manifolds are supplied cleaned and degreased)
- ! DS : Valves with stem having soft conical and delrin tip rolled into the needle for gas service.
- ! MB : Mounting bracket
- ! MBC : Mounting bolts [7/16" UNF] in carbon steel
- ! MBS : Mounting bolts [7/16" UNF] in SS

Example

To place an order simply refer to the codes in the table.

Valve Type : Body Material + Stem Type + Stem Packing + Size + Connections + Threads + Options

2VQ : S + CT + P + 4F + FF + N = FINAL ORDER

NOTE:

- The weld prepared types are available with female plain end - suitable for socket weld.
- Anti-tamper bonnet - special design on request with locking arrangement if desired.

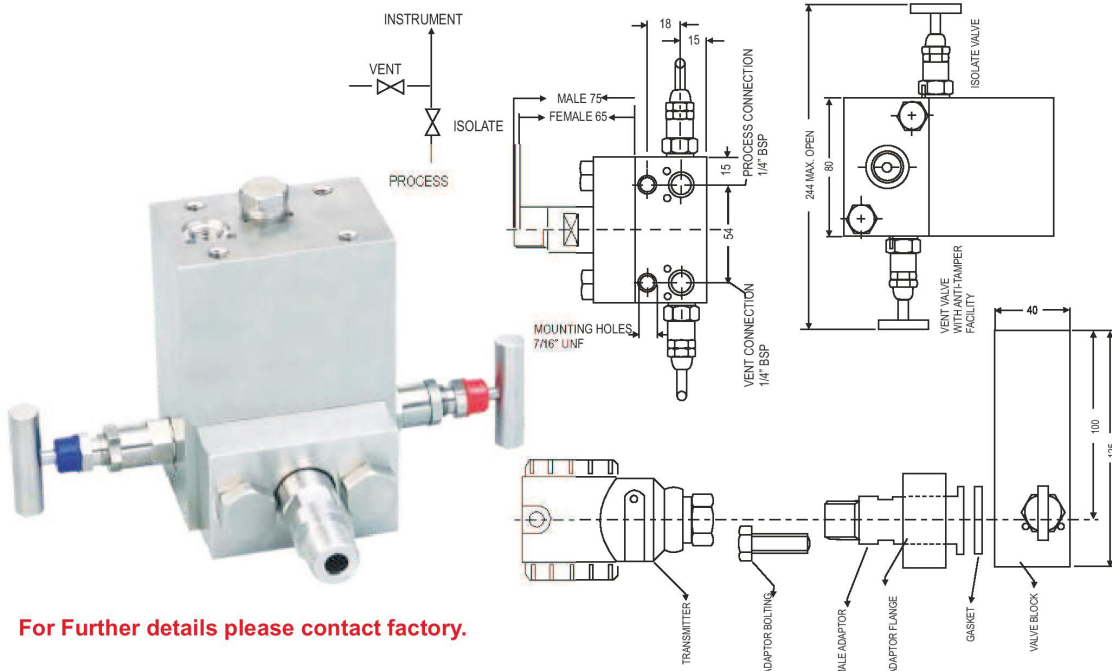


TWO VALVE MANIFOLDS



SE-2VR

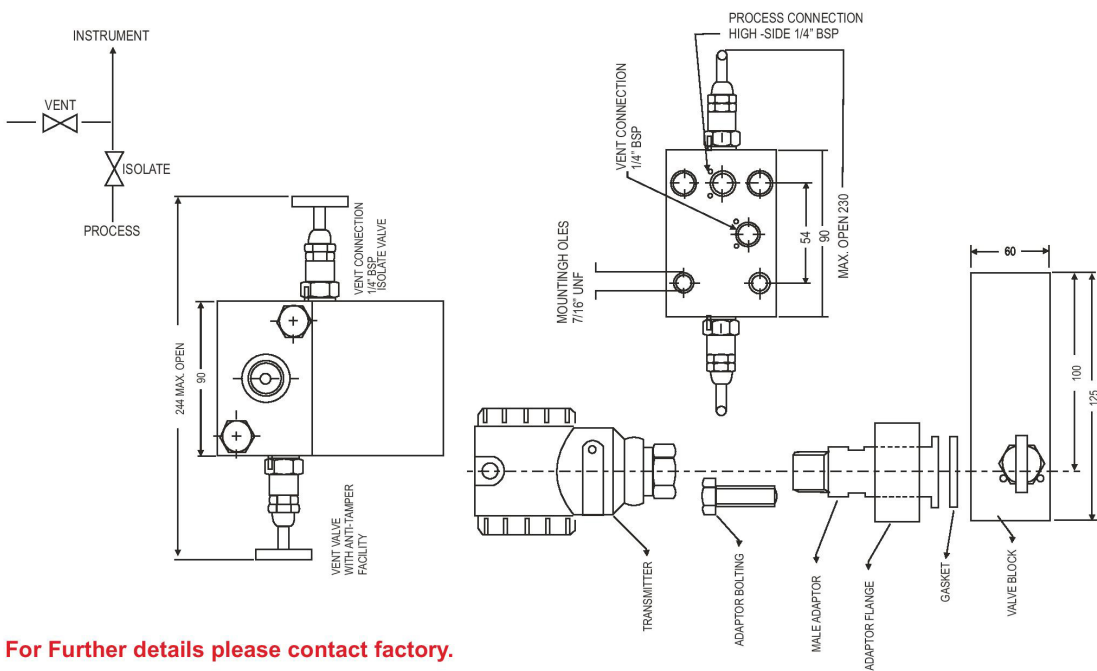
Special two valve manifold designed to accommodate threaded direct transmitters and pressure instruments with inlet at front and outlet on top, vent/test connection at front; venting bonnet at left side and isolating bonnet at right.



For Further details please contact factory.

SE-2VRM

Special two valve manifold designed to accommodate threaded direct transmitters and pressure instruments with inlet at front and outlet on top, vent/test connection at front; venting bonnet at left side and isolating bonnet at right. (measurement differs from the model 2VR)



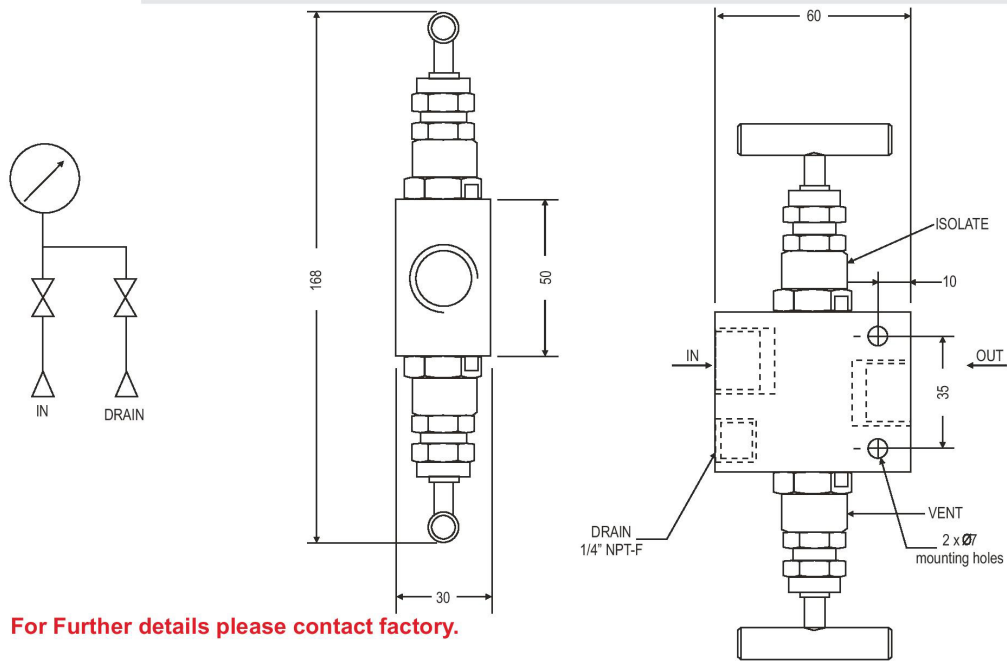
For Further details please contact factory.



TWO VALVE MANIFOLDS

SE-2VB

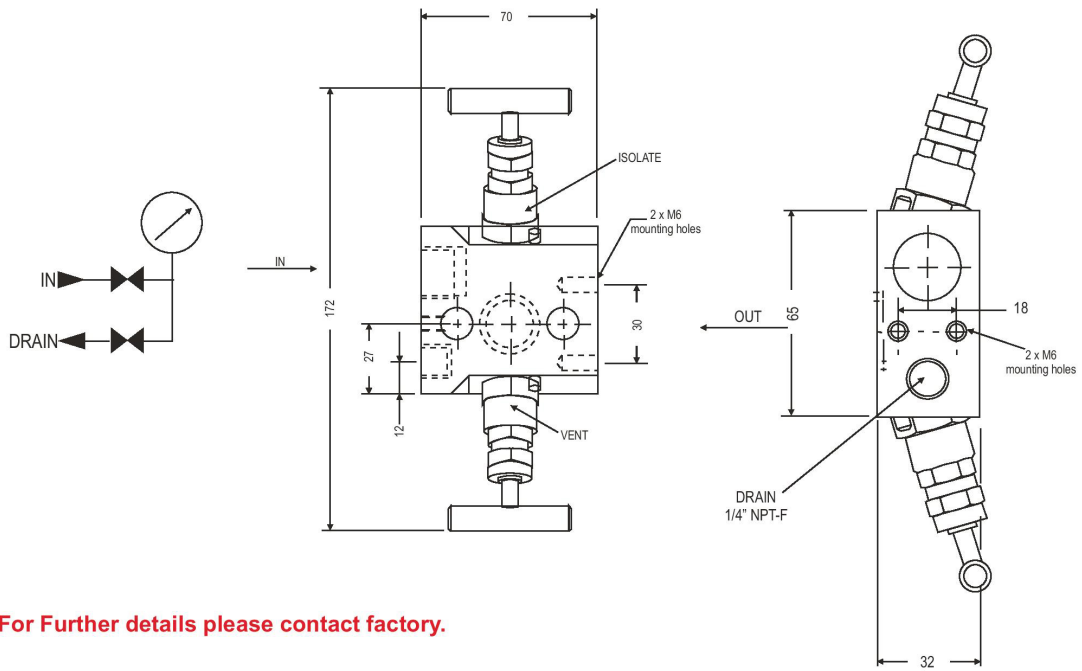
Special two valve manifold with threaded port for inlet and outlet. The isolating bonnet is on the left side and the venting bonnet is on the right side.



For Further details please contact factory.

SE-2VC

Special two valve manifold with threaded inlet port on the bottom side process connecting on the back side. The isolating bonnet is on the left side and the venting bonnet is on the right side.



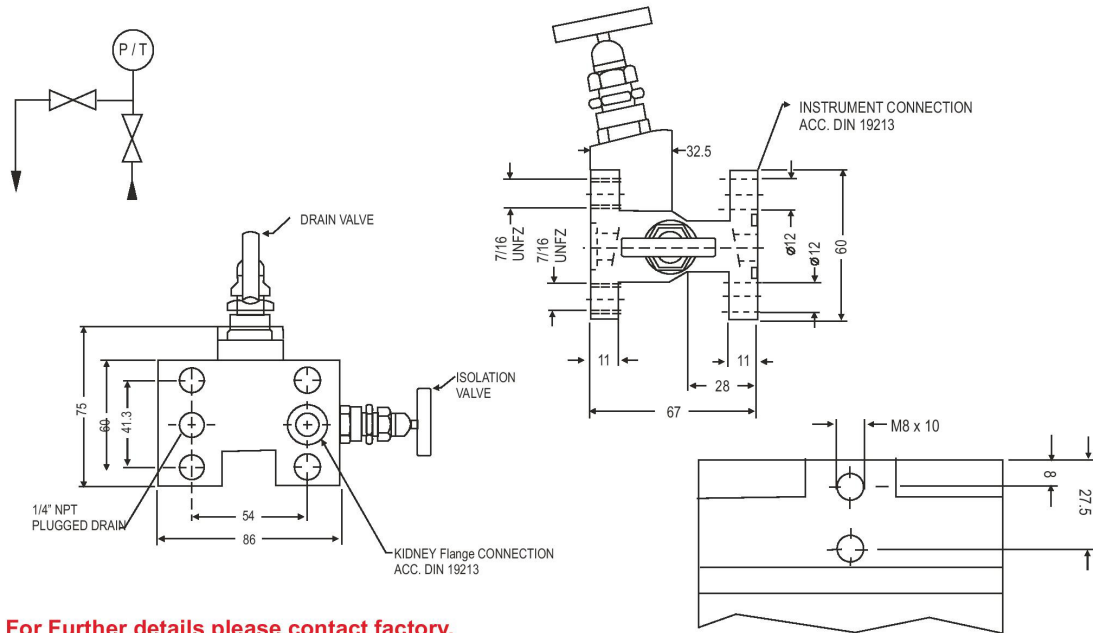
For Further details please contact factory.

TWO VALVE MANIFOLDS



SE-2VK

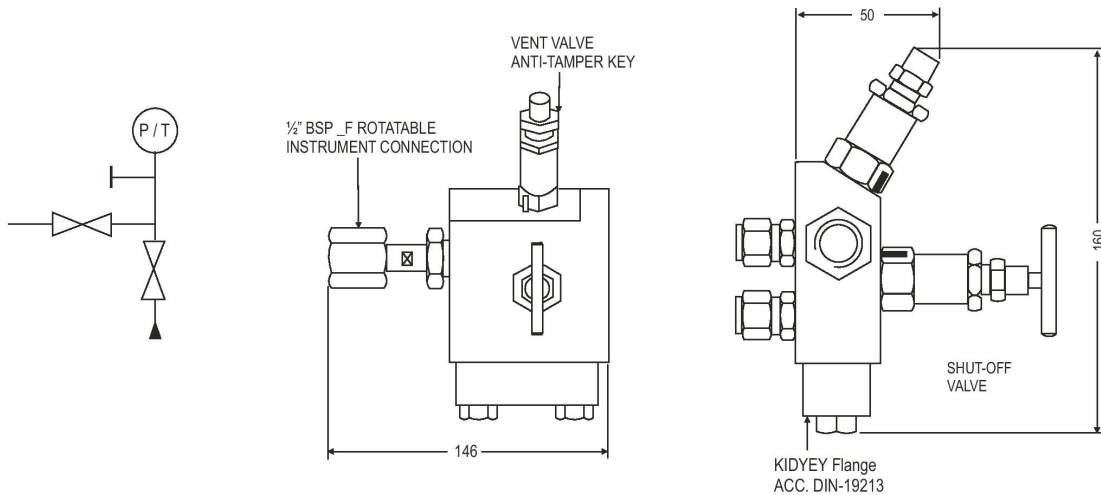
Special two valve compact manifold to accommodate any full DIN 19213 interface compliant pressure transmitter with inlet Flange to fit DIN 19213 and outlet also Flange to DIN 19213. Vent/test connection at front side, venting bonnet at right side and isolating bonnet on top.



For Further details please contact factory.

SE-2VFS

Special two valve manifold with threaded horizontal port NPT female inlet and horizontal BSP female rotatable instrument connection with vent/test connection at the back side. The venting bonnet is positioned angular at top side and the isolating bonnet at front side.



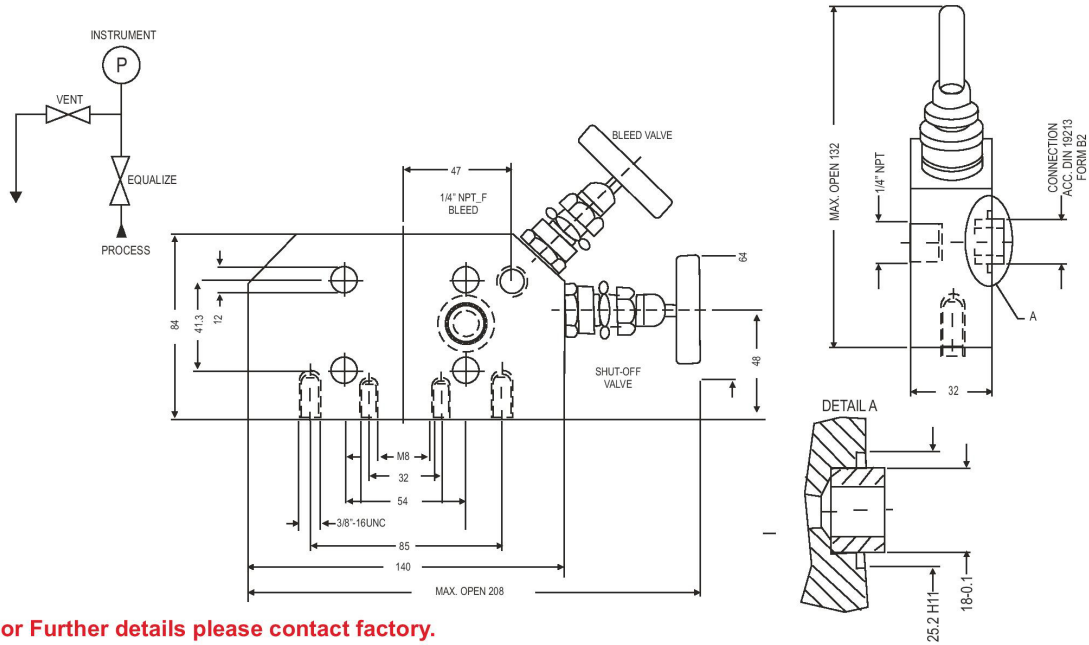
For Further details please contact factory.



TWO VALVE MANIFOLDS

SE-2V42

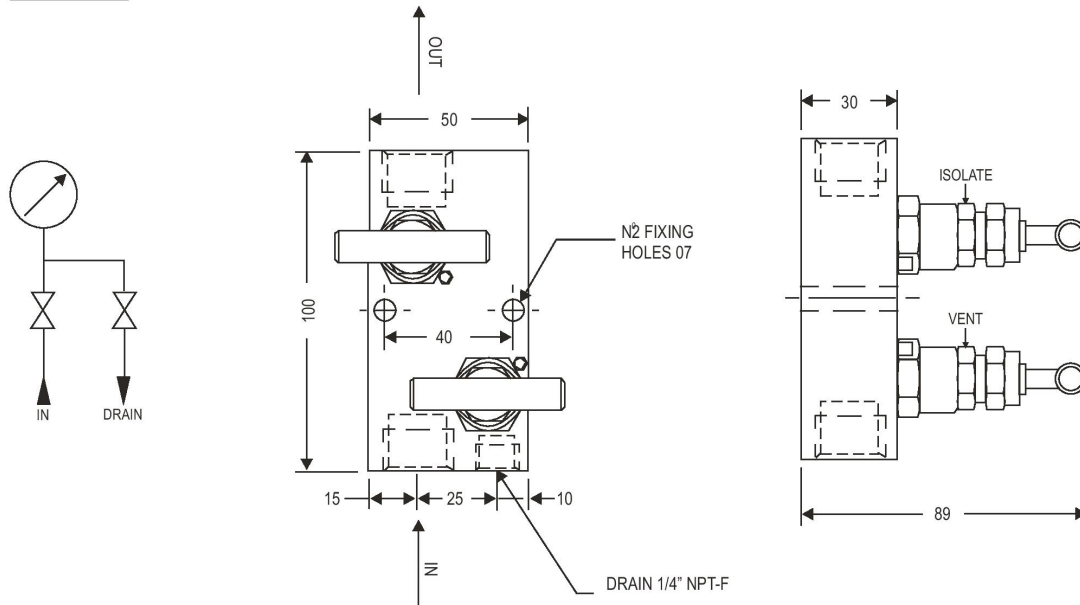
Special two valve manifold especially designed to suit FR 3051 transmitters with inlet NPT female at front, outlet Flange to DIN 19213 at back side-vent/test connection at back, isolating bonnet at left, venting bonnet angular at left hand side.



For Further details please contact factory.

SE-2VZ

Special two valve manifold with vertical threaded port at inlet and outlet. Isolating and venting bonnet on top and drain port near inlet port.

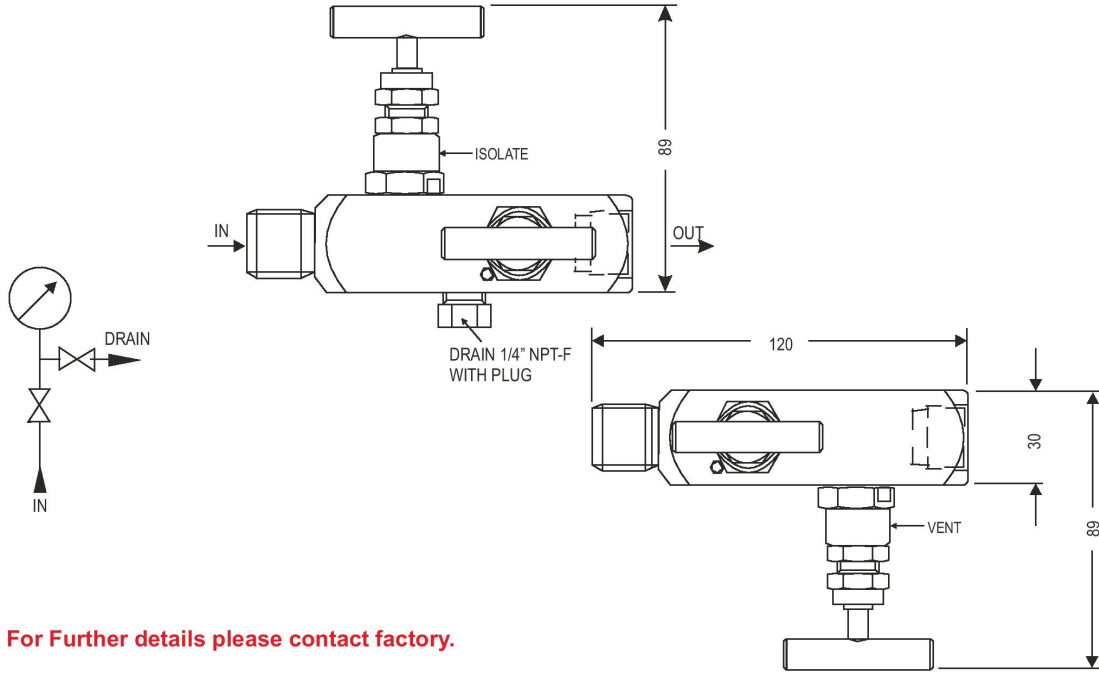


For Further details please contact factory.

TWO VALVE MANIFOLDS

SE-2VDR

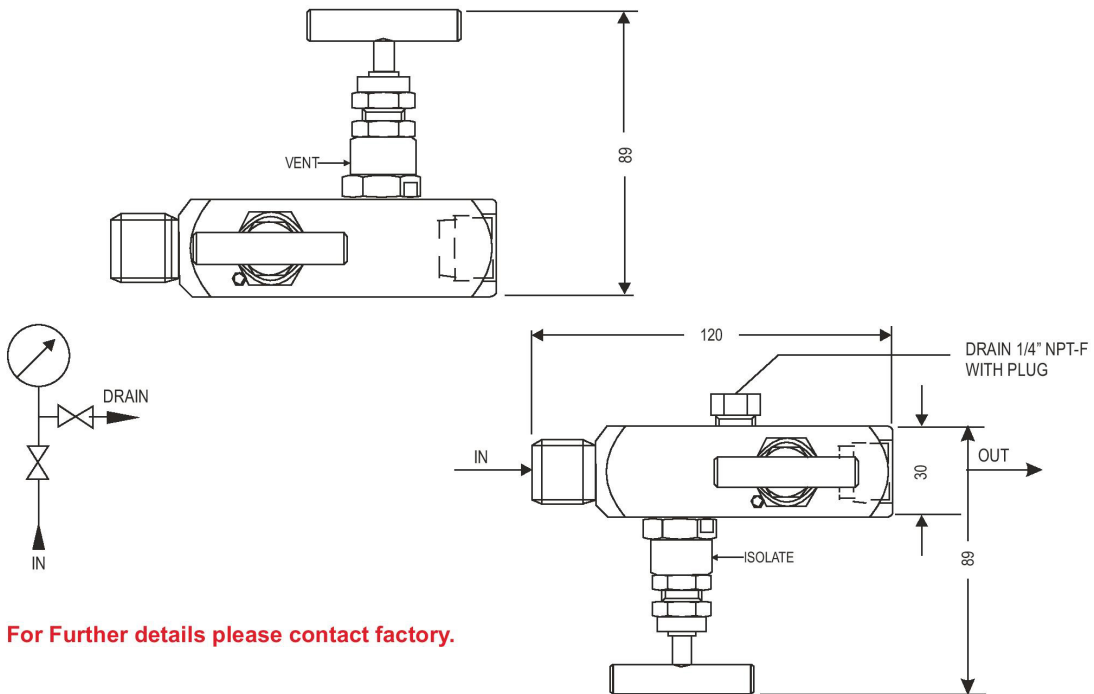
Special two valve manifold with threaded vertical port inlet and outlet. The vent/test connection is positioned on the right side, venting bonnet is positioned on top and isolating on left side.



For Further details please contact factory.

SE-2VDL

Special two valve manifold with threaded vertical port inlet and outlet. The vent/test port is positioned on left side, venting bonnet is on top and isolating bonnet is on right side.



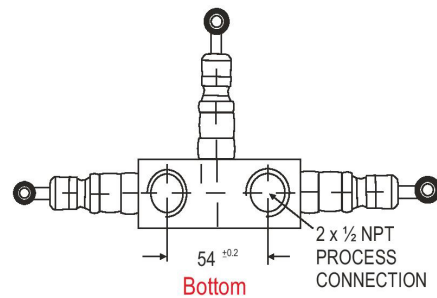
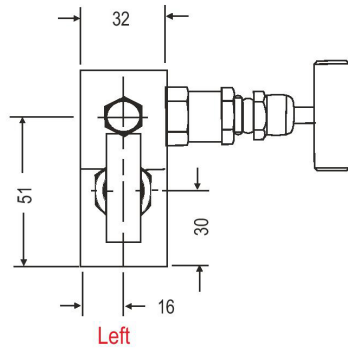
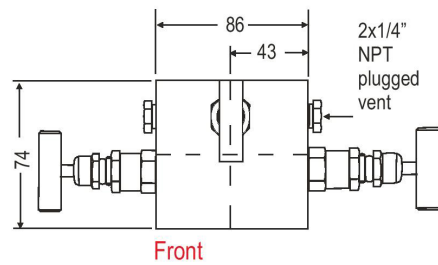
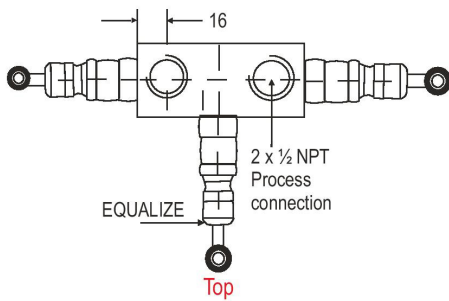
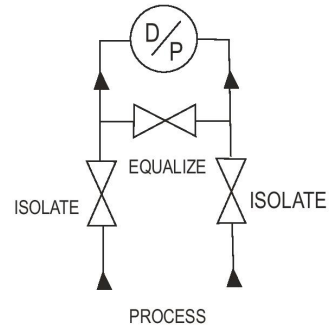
For Further details please contact factory.

THREE VALVE MANIFOLDS



SE-3VS

With two threaded vertical port inlets and outlets, both test connections are positioned on the left and right hand side. The two isolating bonnets are positioned on the left and right hand side and the equalizing bonnet is positioned on the front.



Standard connection

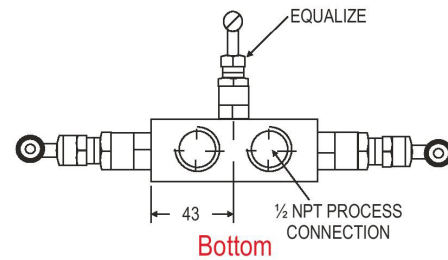
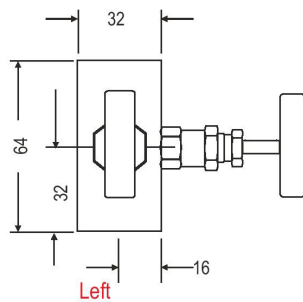
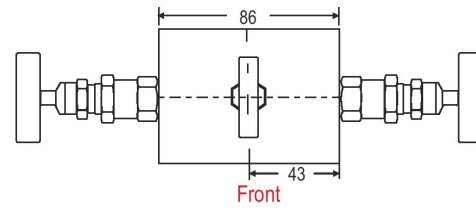
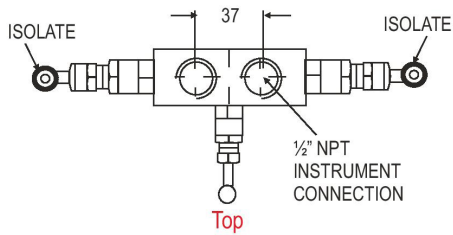
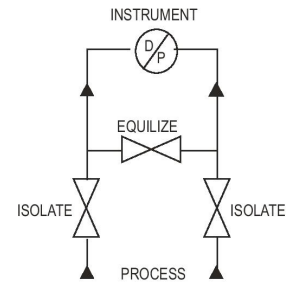
Product	Process side	Instrument side	Vent/Test
SE-3VS	1/2" NPT female	1/2" NPT female	1/4" NPT female



THREE VALVE MANIFOLDS



SE-3VM With threaded vertical port inlets and outlets. The isolating bonnets are positioned on the left and right hand side and the equalizing bonnet is positioned on the front. This manifold is specially designed as miniature valve to be remote mounted.



Standard connection

Product	Process side	Instrument side
SE-3VM	1/2" NPT female	1/2" NPT female

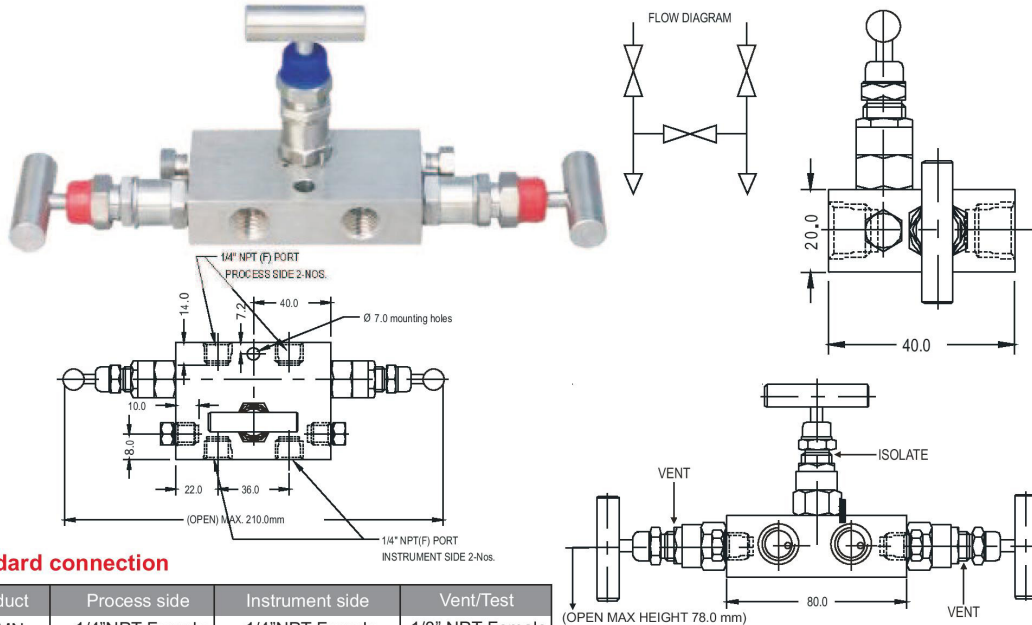
THREE VALVE MANIFOLDS



SE-3VMN

Three valve Miniature manifold with compact design having threaded port for inlet and out let and finds application for isolating and venting the process media . This is used where space is a constraint. The isolating bonnets positioned on top and venting bonnets are positioned on right and left hand side.

Connection : 1/4" (F) For Instrument and process along with 1/8" (F) Drain
Maximum Working Pressure 3000 PSI

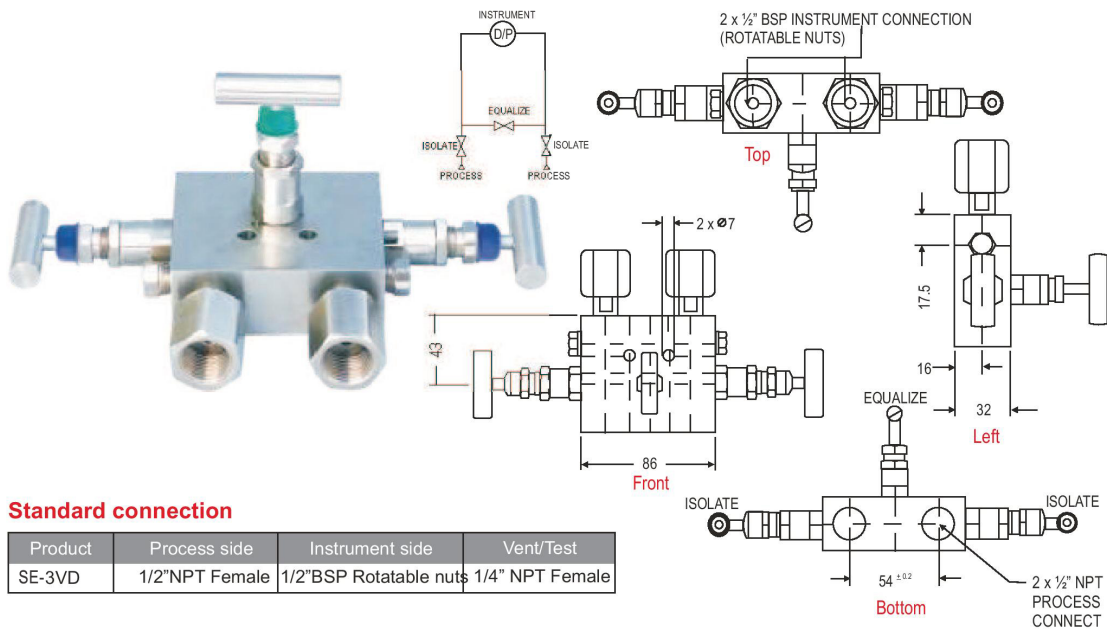


Standard connection

Product	Process side	Instrument side	Vent/Test
SE-3VMN	1/4"NPT Female	1/4"NPT Female	1/8" NPT Female

SE-3VD

Three valve manifold or differential pressure gauges. Two horizontal inlets NPT female at bottom side. Two outlets with rotating for nuts on top side and vent/test connection on top. Equalizing bonnet at front, isolating bonnets at left and right hand side **Also available in 54mm tap spacings model - 3VD54.**



Standard connection

Product	Process side	Instrument side	Vent/Test
SE-3VD	1/2"NPT Female	1/2"BSP Rotatable nuts	1/4" NPT Female



THREE VALVE MANIFOLDS



Standard version specifications of model 3VS, 3VM, 3VMN

Body	: SS 316
Stem	: SS 316
Valve assembly	: SS 316
'T' bar handle	: SS 304
Maximum working pressure	: 6000 psi [not available in model 3VMN]
Maximum working temperature:	240°C
Packing	: PTFE(Grafoil to be used for temperature above 240°C till 550°C)
Type of stem	: Type CT; Stem with conical metal tip
Drain port	: 1/4" NPT [F]; provided with SS 316 plug [not available in model 3VMN]
Chrome plating	: Provided on stem tip

How to order : Valve Type - 3VS, 3VM, 3VMN, 3VD

Body Material	Stem Type	Stem Packing	Size = Inlet x Outlet	Connections	Threads
C = Carbon Steel	CT(std)	P = PTFE(std)	24 = 1/4" x 1/4"	FF = Female x Female(Std)	N = NPT to ANSI B1.20.1
S = SS 316(std)	DS	G = Grafoil	44 = 1/2" x 1/2" (std)	SW = Socket Weld	P = BSP to BS2779
SL = SS 316L					B = BSPT to BS21
M = Monel 400					
H = Hastelloy C					

Options

- ! GH : Material test certificate
- ! GO : Hydrotest test certificate
- ! MBC : Mounting bolts [7/16" UNF] in carbon steel
- ! MBS : Mounting bolts [7/16" UNF] in SS
- ! IE : Circular plastic.
- ! TF : Sour gas service to NACE standard MR-01-75.
- ! SG : Oxygen service. (manifolds are supplied cleaned and degreased)
- ! DS : Valves with stem having soft conical and delrin tip rolled into the needle for gas service.
- ! MB : Mounting bracket

Example

To place an order simply refer to the codes in the table.

Valve Type	:	Body Material	+	Stem Type	+	Stem Packing	+	Size	+	Connections	+	Threads	+	Options
3VS	:	C	+	CT	+	P	+	44	+	FF	+	N	=	Final Order

NOTE:

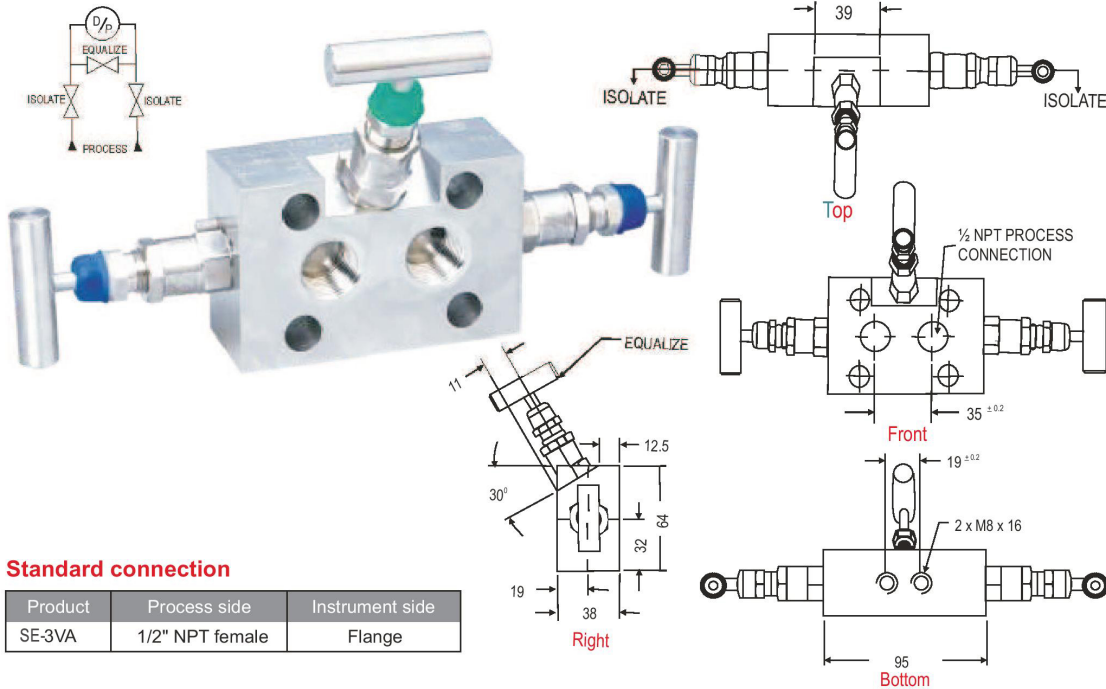
- The weld prepared types are available with female plain end - suitable for socket weld.
- Anti-tamper bonnet - special design on request with locking arrangement if desired.



THREE VALVE MANIFOLDS

SE-3VA

With two threaded horizontal port inlets on the front side and two Flange outlets on the back side. The two isolating bonnets are positioned on the left and righthand side, the equalizing bonnet is of angular design positioned on the top for easy operation.

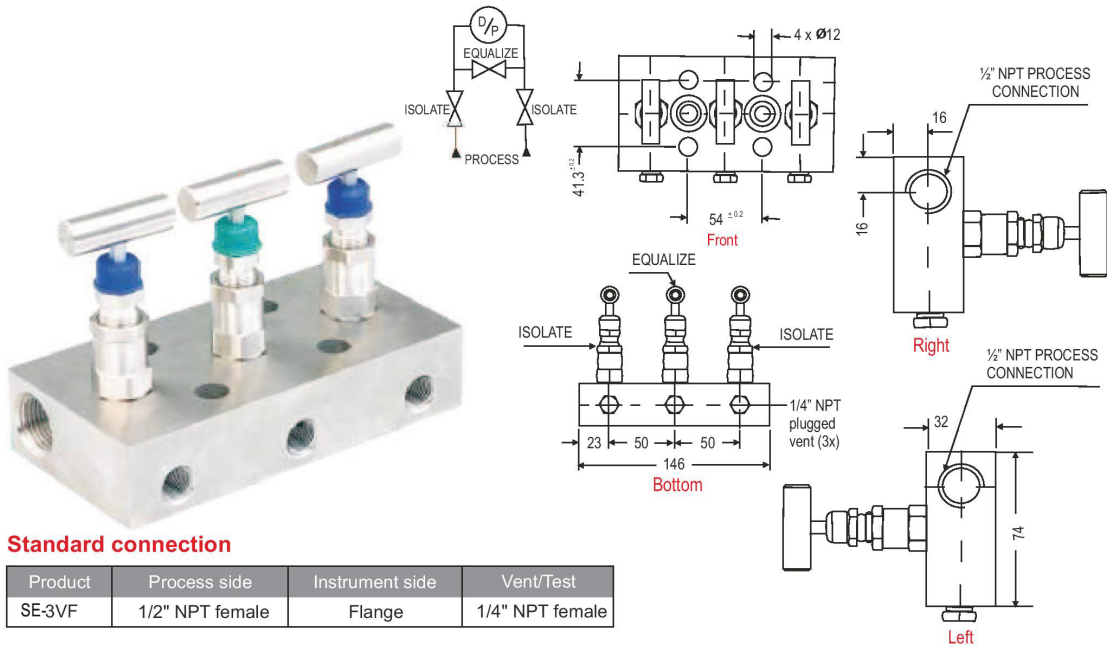


Standard connection

Product	Process side	Instrument side
SE-3VA	1/2" NPT female	Flange

SE-3VF

With two threaded horizontal port inlets positioned on the left and right hand side and two Flange outlets on the back side. The two isolating bonnets and the equalizing bonnet are positioned on the front. Standard with three downstream test connections.



Standard connection

Product	Process side	Instrument side	Vent/Test
SE-3VF	1/2" NPT female	Flange	1/4" NPT female

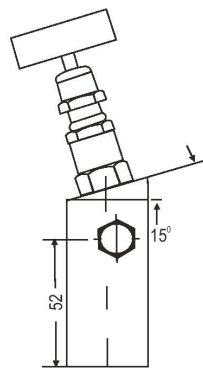
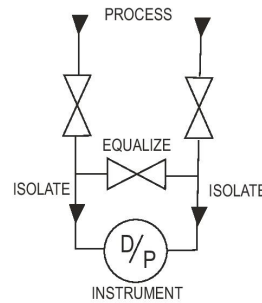
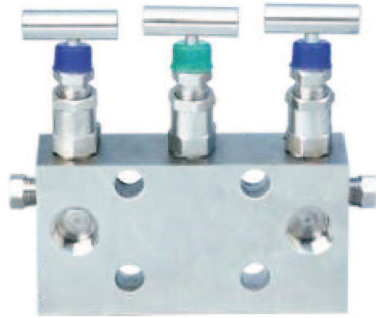


THREE VALVE MANIFOLDS

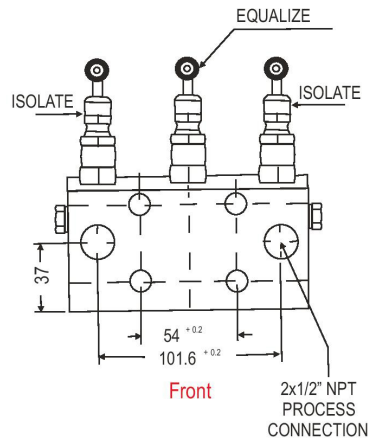


SE-3VP

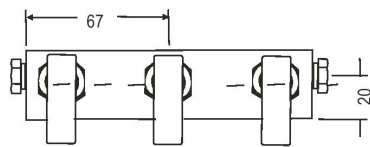
With threaded horizontal port inlets positioned on the front and Flange outlets on the back side. The test connections are positioned on the left and right hand side. The isolating bonnets and the equalizing bonnet are positioned angular on the top of the body



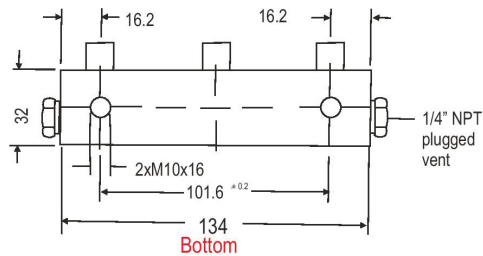
Right



Front



Top



Bottom

Standard connection

Product	Process side	Instrument side	Vent/Test
SE-3VP	1/2" NPT female	Flange	1/4" NPT female

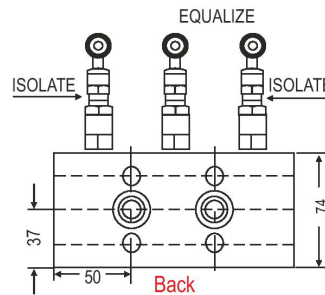
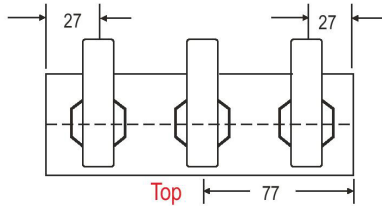
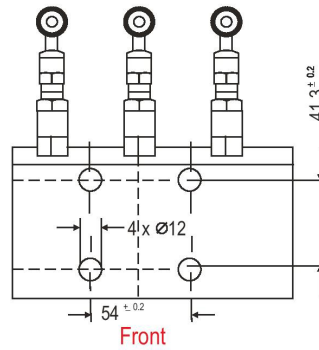
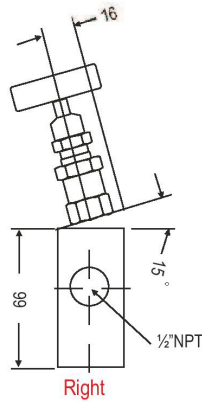
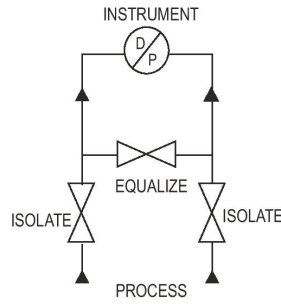


THREE VALVE MANIFOLDS



SE-3VO

With threaded horizontal port inlets on the left and right hand side and Flange outlets on the back side. The isolating bonnets and the equalizing bonnets are positioned angular on the top of the body



Standard connection

Product	Process side	Instrument side
SE-3VO	1/2" NPT female	Flange



THREE VALVE MANIFOLDS



Standard version specifications of model 3VA,3VF,3VD, 3VP , 3VO

Body	: SS 316
Stem	: SS 316
Valve assembly	: SS 316
'T' bar handle	: SS 304
Maximum working pressure	: 6000 psi
Maximum working temperature:	240°C
Packing	: PTFE(Grafoil to be used for temperature above 240°C till 550°C)
Type of stem	: Type CT; Stem with conical metal tip
Drain port	: 1/4" NPT [F]; provided with SS 316 plug [not available in model 3VA]
Chrome plating	: Provided on stem tip.

How to order : Valve Type - 3VA, 3VF, 3VP, 3VO

Body Material	Stem Type	Stem Packing	Size = Inlet x Outlet	Connections	Threads
C = Carbon Steel	CT(std)	P = PTFE(std)	4F = 1/2"x Flange	FD = Female x Flange(54mm)	N = NPT to ANSI B1.20.1
S = SS 316(std)	DS	G = Grafoil	2F = 1/4"x Flange	FR = Female X Female Rotating	P = BSPPto BS2779
SL = SS 316L					B = BSPT to BS21
M = Monel 400				SW = Socket Weld	
H = Hastelloy C					

Options

- ! GH : Material test certificate
- ! GO : Hydrotest test certificate
- ! MBC : Mounting bolts [7/16" UNF] in carbon steel
- ! MBS : Mounting bolts [7/16" UNF] in SS
- ! IE : Circular plastic.
- ! TF : Sour gas service to NACE standard MR-01-75.
- ! SG : Oxygen service. (manifolds are supplied cleaned and degreased)
- ! DS : Valves with stem having soft conical and delrin tip rolled into the needle for gas service.
- ! MB : Mounting bracket

Example

To place an order simply refer to the codes in the table.

Valve Type	:	Body Material	+	Stem Type	+	Stem Packing	+	Size	+	Connections	+	Threads	+	Options
3VA	:	S	+	CT	+	P	+	4F	+	FD	+	N	=	Final Order

NOTE:

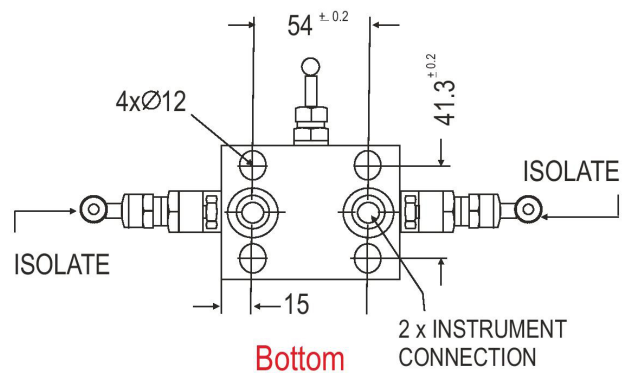
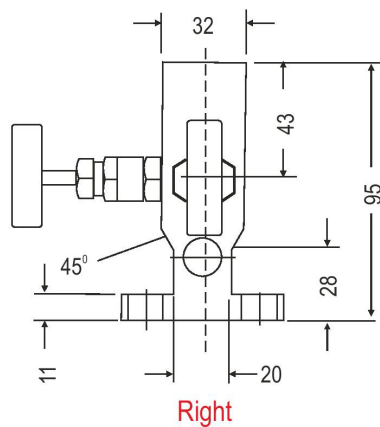
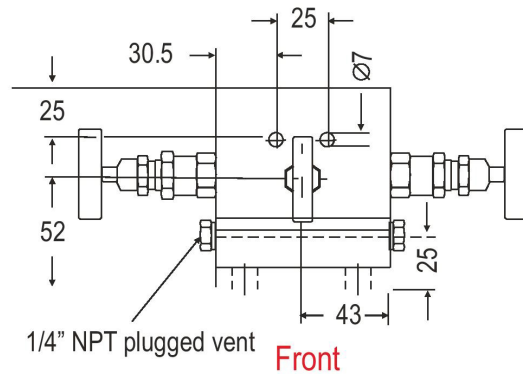
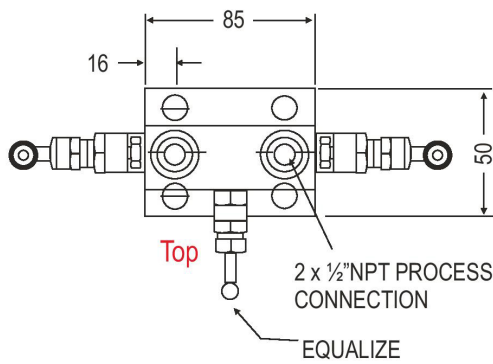
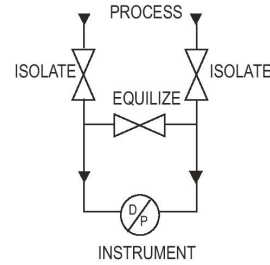
- The weld prepared types are available with female plain end - suitable for socket weld.
- Anti-tamper bonnet - special design on request with locking arrangement if desired.



THREE VALVE MANIFOLDS

SE-3VT

With threaded horizontal port inlets on the front side and Flange outlets on the back side. Two test connections positioned on the left and right hand side of the body. The isolating bonnets are positioned on the left and right hand side and the equalizing bonnet is positioned on the top.



Standard connection

Product	Process side	Instrument side	Vent/Test
SE-3VT	1/2" NPT female	Flange	1/4" NPT female

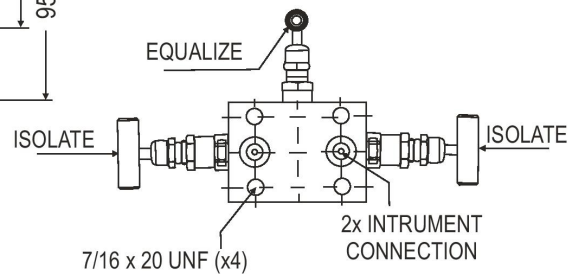
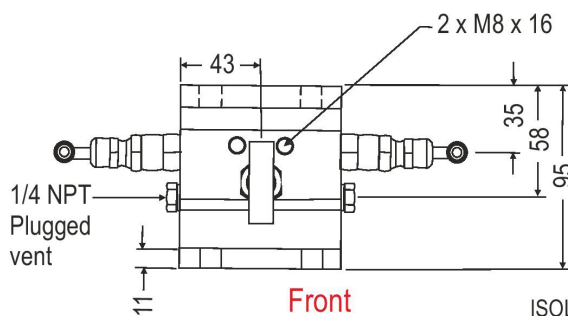
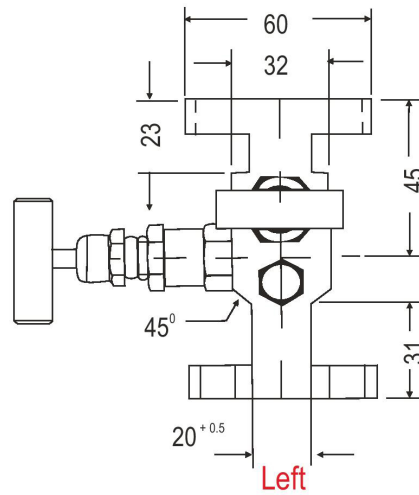
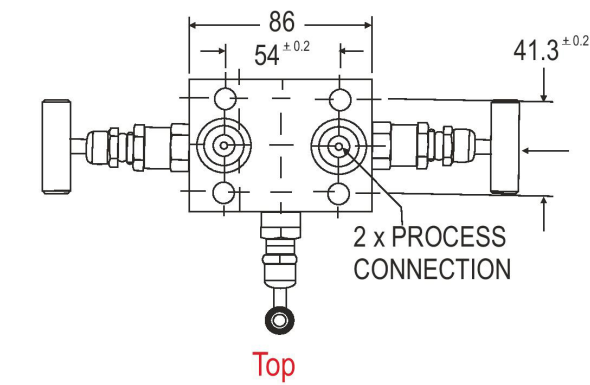
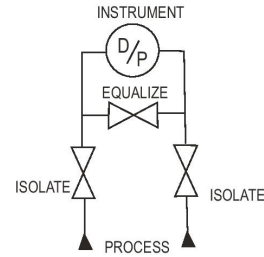
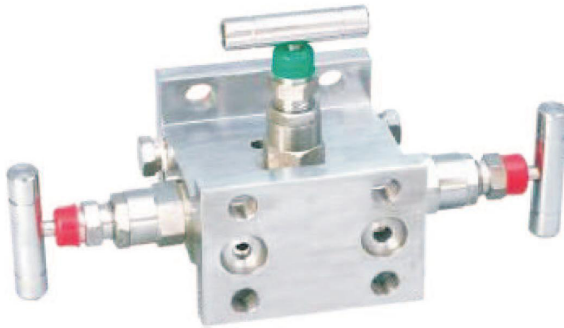


THREE VALVE MANIFOLDS



SE-3VH

With Flange horizontal port inlets on the front side and Flange outlets on the back side. Two test connections positioned on the left and right hand side of the body. The isolating bonnets are positioned on the left and right hand side and the equalizing bonnet is positioned on the top.



Standard connection

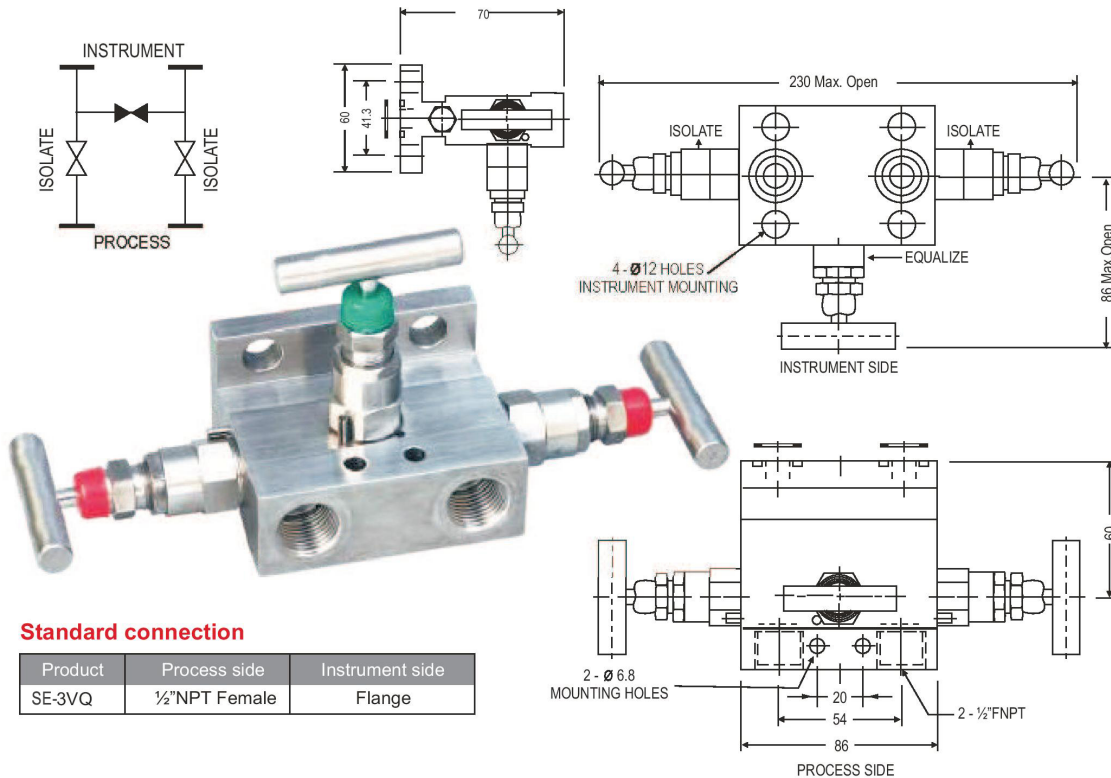
Product	Process side	Instrument side	Vent/Test
SE-3VH	Flange	Flange	1/4" NPT female



THREE VALVE MANIFOLDS

SE-3VQ

With threaded horizontal port inlet on the front side and Flange outlet on the back side without test/vent connection. The isolating bonnets are positioned on the left and right hand side and Equalizing bonnet is positioned on the top.



Standard connection

Product	Process side	Instrument side
SE-3VQ	½"NPT Female	Flange

Standard version specifications of model 3VT, 3VH, 3VQ

Body	: SS 316
Stem	: SS 316
Valve assembly	: SS 316
'T' bar handle	: SS 304
Maximum working pressure	: 6000 psi
Maximum working temperature	: 240°C
Packing	: PTFE (Grafoil to be used for temperature above 240°C till 550°C)
Type of stem	: Type CT; Stem with conical metal tip
Drain port	: 1/4" NPT [F]; provided with SS 316 plug
Chrome plating	: Provided on stem tip.

THREE VALVE MANIFOLDS



How to order : Valve Type - 3VT, 3VH,3VQ

Body Material	Stem Type	Stem Packing	Size = Inlet x Outlet	Connections	Threads
C = Carbon Steel	CT(std)	P = PTFE(std)	4F= 1/2" x Flange	FD = Female x Flange(54mm)	N = NPT to ANSI B1.20.1
S = SS 316(std)	DS	G = Grafoil	2F = 1/4" x Flange	SW = Socket Weld	P = BSP to BS2779
SL = SS 316L				DD = Flange x Flange (54mm)	B = BSPT to BS21
M = Monel 400					
H = Hastelloy C					

Options

- ! GH : Material test certificate
- ! GO : Hydrotest test certificate
- ! MBC : Mounting bolts [7/16" UNF] in carbon steel
- ! MBS : Mounting bolts [7/16" UNF] in SS
- ! IE : Circular plastic.
- ! TF : Sour gas service to NACE standard MR-01-75.
- ! SG : Oxygen service. (manifolds are supplied cleaned and degreased)
- ! DS : Valves with stem having soft conical and delrin tip rolled into the needle for gas service.
- ! MB : Mounting bracket

Example

To place an order simply refer to the codes in the table.

Valve Type	+	Body Material	+	Stem Type	+	Stem Packing	+	Size	+	Connections	+	Threads	+	Options
3VT	+	S	+	CT	+	P	+	4F	+	FD	+	N	=	Final Order

NOTE:

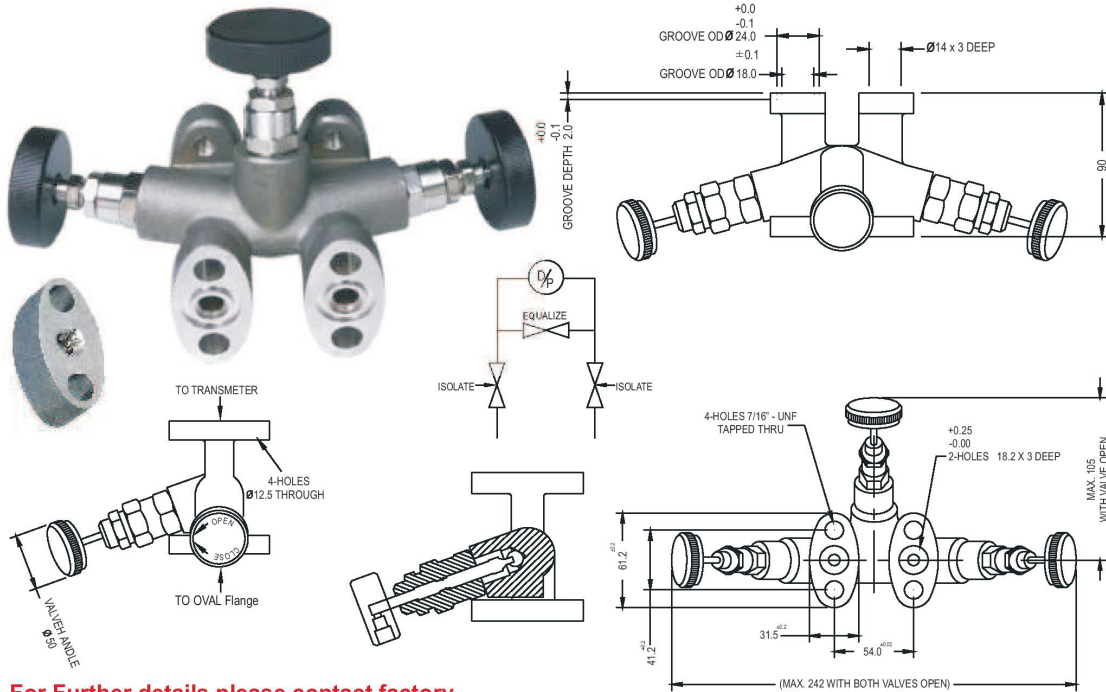
- The weld prepared types are available with female plain end - suitable for socket weld.
- Anti-tamper bonnet - special design on request with locking arrangement if desired.



THREE VALVE MANIFOLDS

SE-3VCN

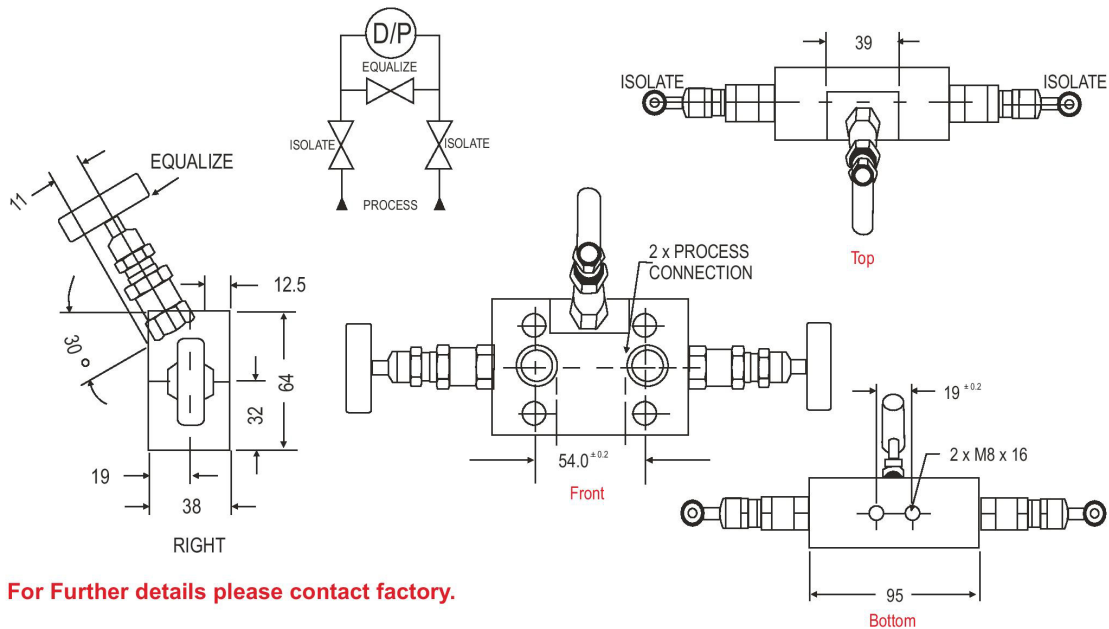
Special Three valve manifold with body made of casting. The standard model of SS 316 material withstands a pressure of 6000 psi and is used for isolation and equalizing. Connection : Special [oval Flange] Accessory provided : Kidney Flange for mounting



For Further details please contact factory.

SE-3VB

Special design three valve manifold similar to our model 3VA except provided with two horizontal port process inlets Flange to fit DIN 19213 and two instrument Flange outlets on the back side. Isolating bonnets at the left and right side, equalizing bonnet angular on top. No vent/test connection and no venting bonnet.



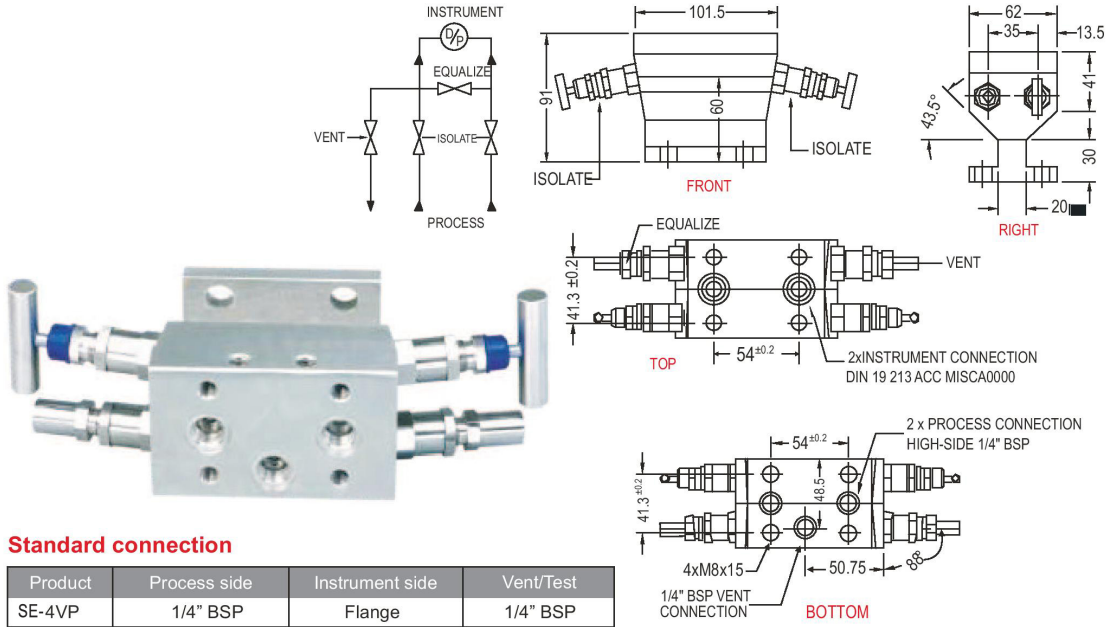
For Further details please contact factory.

FOUR VALVE MANIFOLDS



SE-4VP

A compact four valve manifold to accommodate any full DIN 19213 interface compliant pressure transmitter-two inlets BSP/NPT female and 2 outlets Flange to fit DIN 19213; vent/test on front side, equalizing bonnet at right side; isolating bonnets at left and right side and venting bonnet at left side.



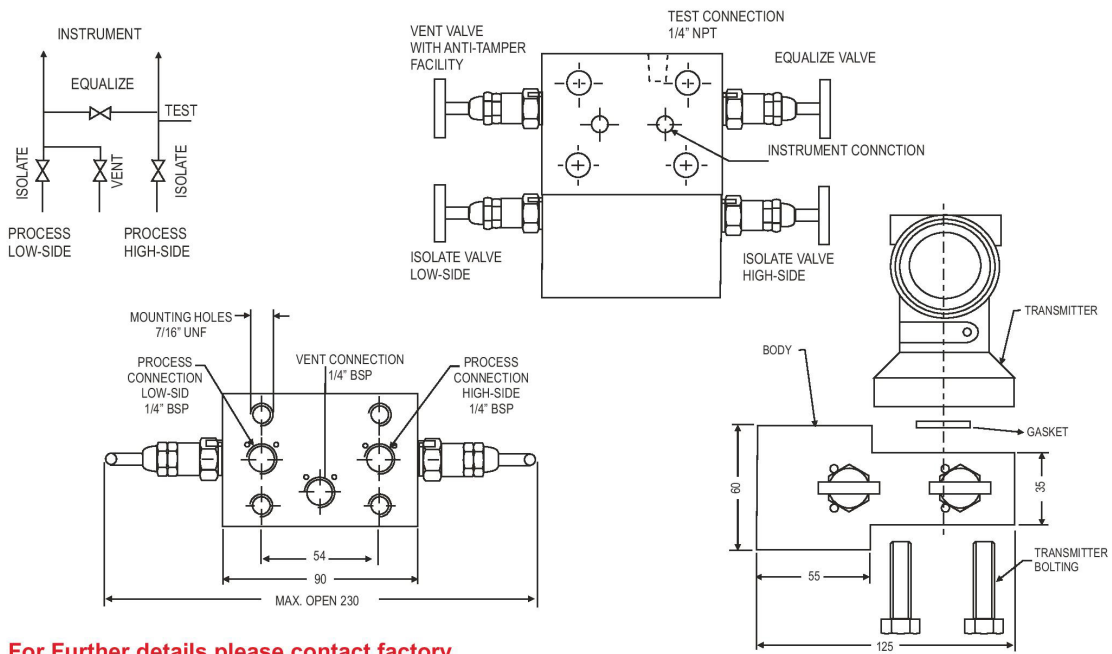
Standard connection

Product	Process side	Instrument side	Vent/Test
SE-4VP	1/4" BSP	Flange	1/4" BSP

For Further details please contact factory.

SE-4VRR

Four valve compact manifold especially designed to suit FR 3051 CD differential transmitters mounted integral on the manifold-2 inlets BSP/NPT female and 2 outlets Flange to fit FR 3051 CD-vent/test connection on front-equalizing bonnet at right side. 2 isolating bonnets at left and right-venting bonnet at left.



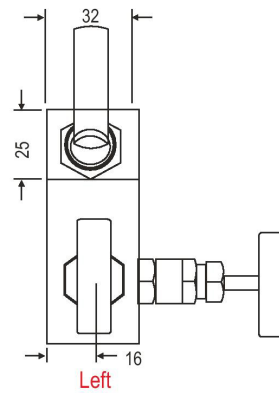
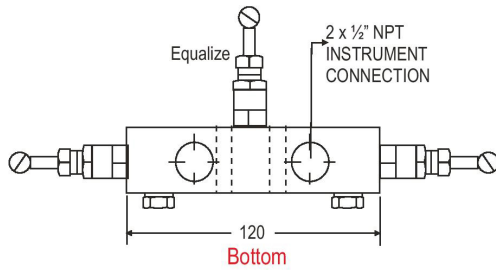
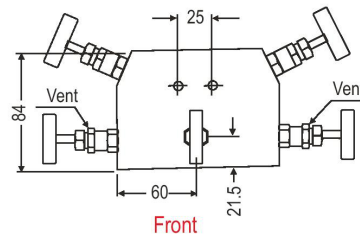
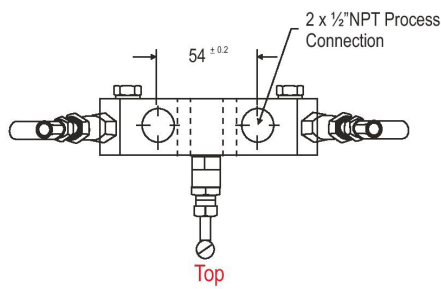
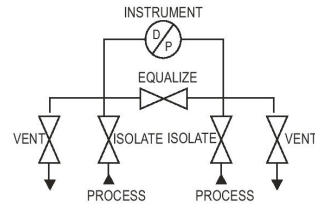
For Further details please contact factory.



FIVE VALVE MANIFOLDS

SE-5VA

With threaded vertical port inlets and outlets. The isolating and venting bonnets are positioned on the left and right hand side and the equalizing bonnet is positioned on the front side. Designed for remote mounting.



Standard connection

Product	Process side	Instrument side	Vent/Test
SE-5VA	1/2" NPT female	1/2" NPT female	1/4" NPT female

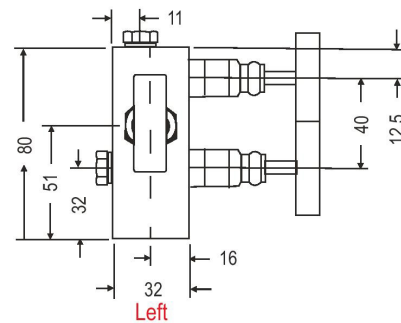
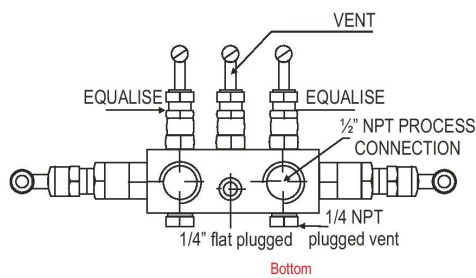
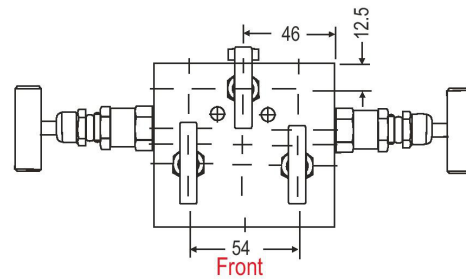
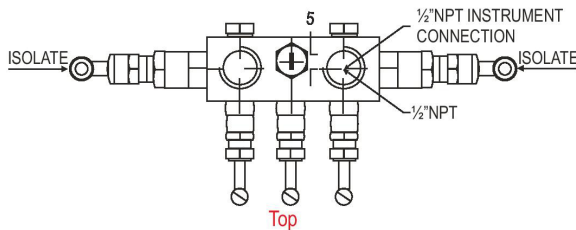
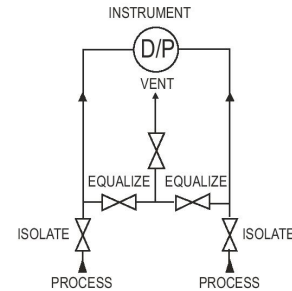


FIVE VALVE MANIFOLDS



SE-5VG

With threaded vertical port inlets and outlets. The vent/test ports are positioned on the bottom and top of the body. The isolating bonnets are positioned on the left and right hand side and the venting and equalizing bonnets are positioned on the front side. Specially designed for remote mounting to field meters, differential transmitters and chart recorders on gas service allowing fail safe configuration preventing pressure loss from the high to low pressure impulse lines.



Standard connection

Product	Process Side	Instrument Side	Vent/Test
SE-5VG	1/2" NPT female	1/2" NPT female	1/4" NPT female

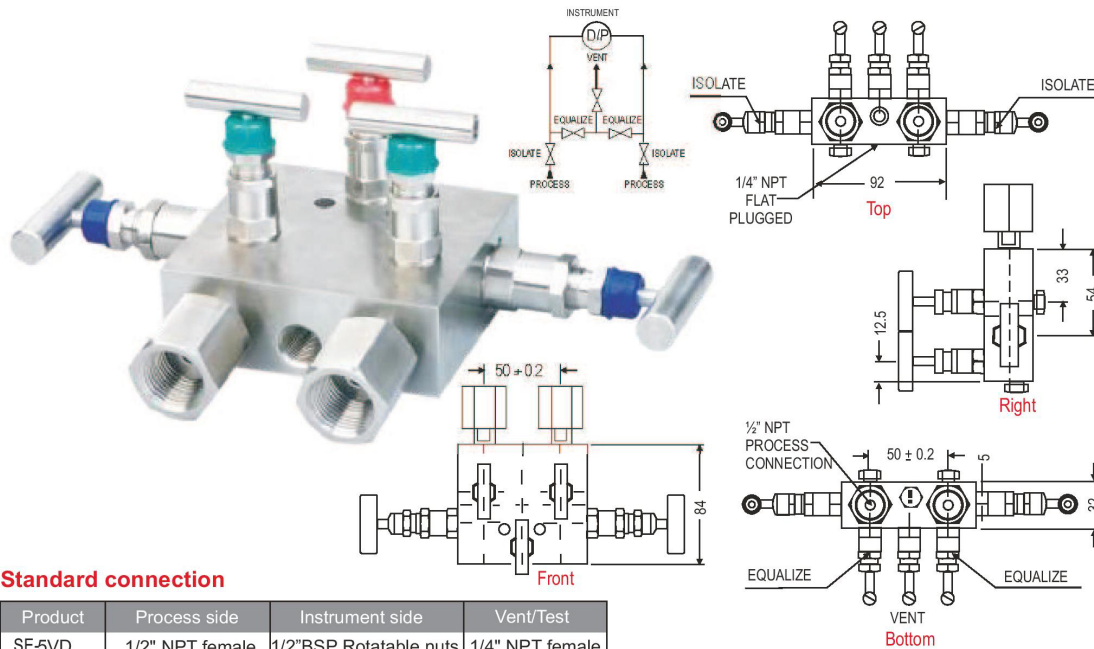


FIVE VALVE MANIFOLDS



SE-5VD

Model for differential pressure gauges with 2 inlets NPT female at bottom and 2 outlets with rotating nuts on top side. **Also available in 54mm tap spacings model - 5VD54.**

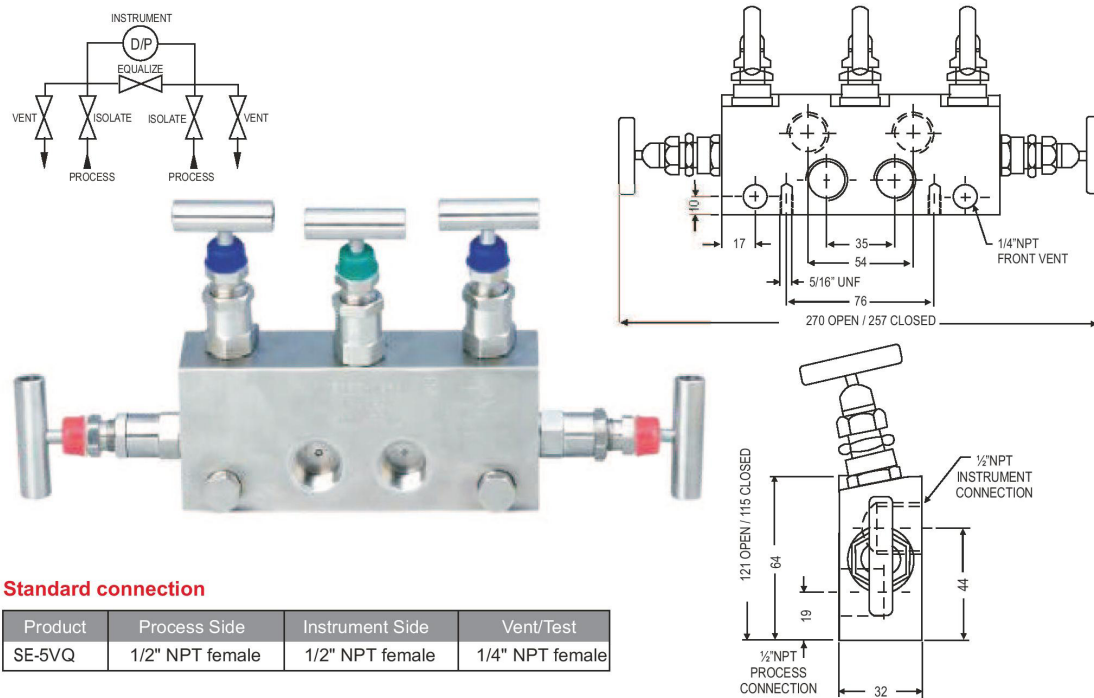


Standard connection

Product	Process side	Instrument side	Vent/Test
SE-5VD	1/2" NPT female	1/2" BSP Rotatable nuts	1/4" NPT female

SE-5VQ

Model designed for complete isolation of instruments-2 inlets NPT female at front, 2 outlets NPT female at back side. Vent/test connection at front, equalizing bonnets (2) angular top, isolating bonnets at left and right side, venting bonnet angular on top.



Standard connection

Product	Process Side	Instrument Side	Vent/Test
SE-5VQ	1/2" NPT female	1/2" NPT female	1/4" NPT female

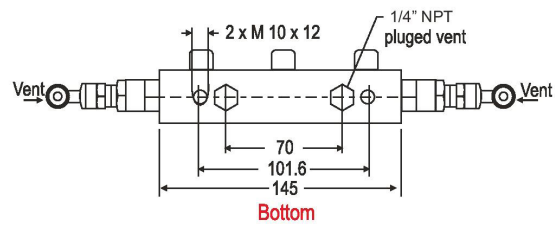
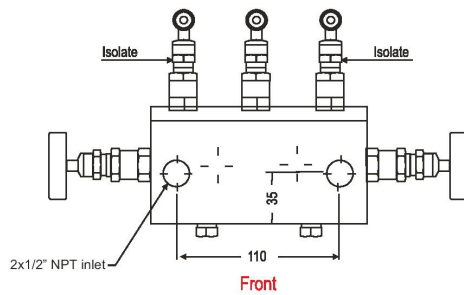
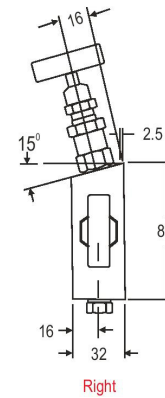
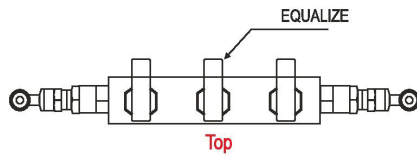
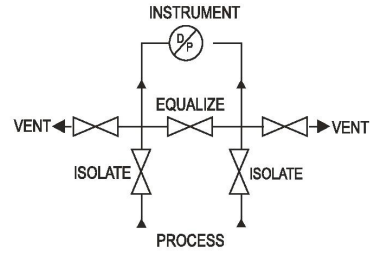


FIVE VALVE MANIFOLDS



SE-5VV

Model designed for complete isolation of instruments with NPT female inlets /outlets. Vent/test connection at bottom; equalizing bonnet angular on top-isolating bonnets angular on top venting bonnets at left and right side.



Standard connection

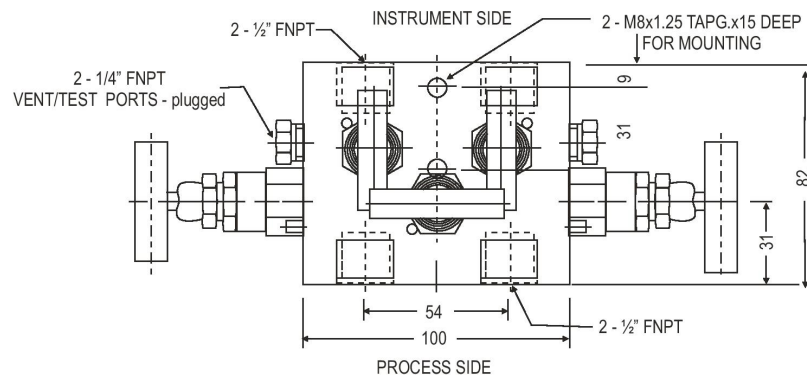
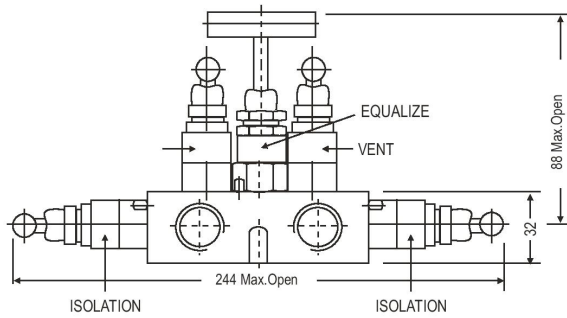
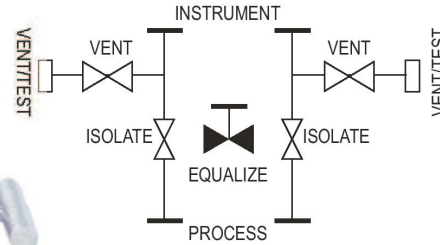
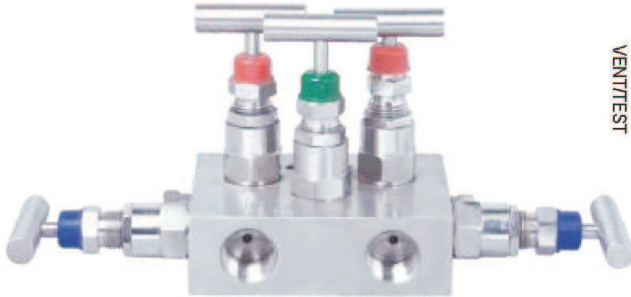
Product	Process Side	Instrument Side	Vent/Test
SE-5VV	1/2" NPT female	1/2" NPT female	1/4" NPT female



FIVE VALVE MANIFOLDS

SE-5VR

With threaded female ports on front side and back side for instrument and process connections. The two vent bonnets along with equalizing bonnet are positioned on the top side. The two isolation bonnets are positioned on left and right hand sides.



Standard connection

Product	Process Side	Instrument Side	Vent/Test
SE-5VR	1/2" NPT female	1/2" NPT female	1/4" NPT female



FIVE VALVE MANIFOLDS



Standard version specifications of model 5VA, 5VG, 5VD, 5VQ, 5VV, 5VR

Body	: SS 316
Stem	: SS 316
Valve assembly	: SS 316
'T' bar handle	: SS 304
Maximum working pressure	: 6000 psi
Maximum working temperature:	240°C
Packing	: PTFE (Grafoil to be used for temperature above 240°C till 550°C)
Type of stem	: Type CT; Stem with conical metal tip
Drain port	: 1/4" NPT [F]; provided with SS 316 plug
Bracket mounting holes	: 2 Nos.
Chrome plating	: Provided on stem tip.

How to order : Valve Type - 5VA, 5VG, 5VD, 5VQ, 5VV, 5VR

Body Material	Stem Type	Stem Packing	Size = Inlet x Outlet	Connections	Threads
C = Carbon Steel	CT	P = PTFE	44= 1/2" x 1/2" (std)	FF = Female x Female	N = NPT to ANSI B1.20.1
S = SS 316	DS	G = Grafoil	24 = 1/4" x 1/4"	FR = Female x Female Rotating	P = BSPF to BS2779
SL = SS 316L				SW = Socket weld	B = BSPT to Bs21
M = Monel 400					
H = Hastelloy C					

Options

- ! GH : Material test certificate
- ! GO : Hydrotest test certificate
- ! IE : Circular plastic.
- ! TF : Sour gas service to NACE standard MR-01-75.
- ! SG : Oxygen service. (manifolds are supplied cleaned and degreased)
- ! DS : Valves with stem having soft conical and delrin tip rolled into the needle for gas service.
- ! MB : Mounting bracket
- ! MBC : Mounting bolts [7/16" UNF] in carbon steel
- ! MBS : Mounting bolts [7/16" UNF] in SS

Example

To place an order simply refer to the codes in the table.

Valve Type	+	Body Material	+	Stem Type	+	Stem Packing	+	Size	+	Connections	+	Threads	+	Options
5VA	+	S	+	CT	+	P	+	44	+	FF	+	N	=	Final Order

NOTE:

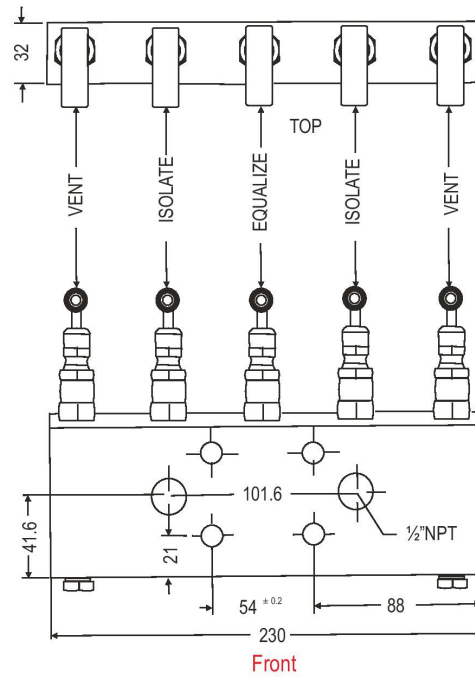
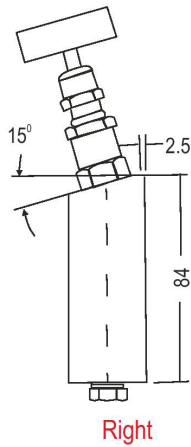
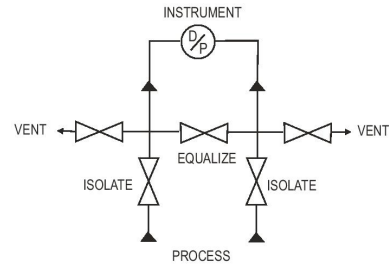
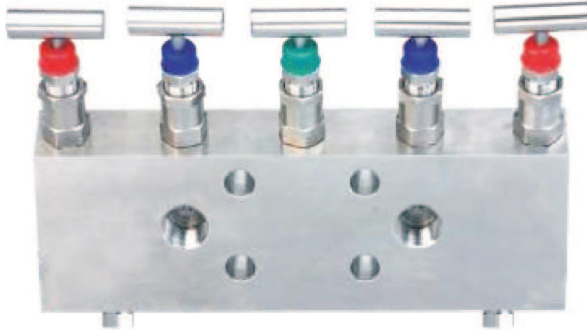
- The weld prepared types are available with female plain end - suitable for socket weld.
- Anti-tamper bonnet - special design on request with locking arrangement if desired.



FIVE VALVE MANIFOLDS

SE-5VP

With threaded horizontal port inlets and Flange port outlets. Three vent/test connections are positioned on the bottom of the body. The isolating, venting and equalizing bonnets are angular positioned on the top designed direct mounting.



Standard connection

Product	Process Side	Instrument Side	Vent/Test
SE-5VP	1/2" NPT female	flange	1/4" NPT female

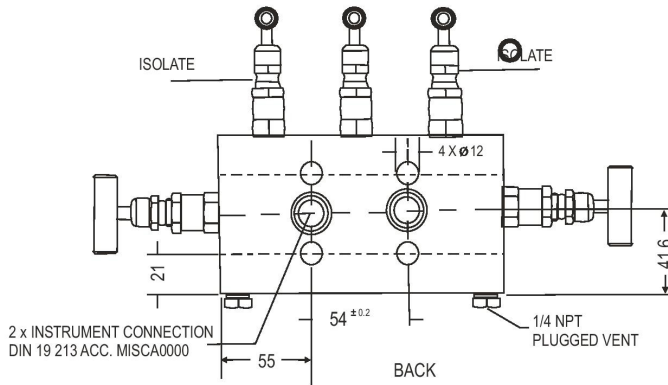
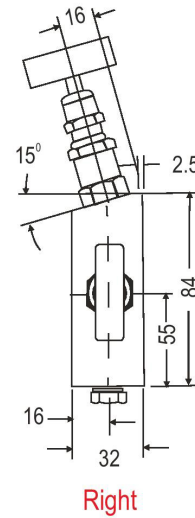
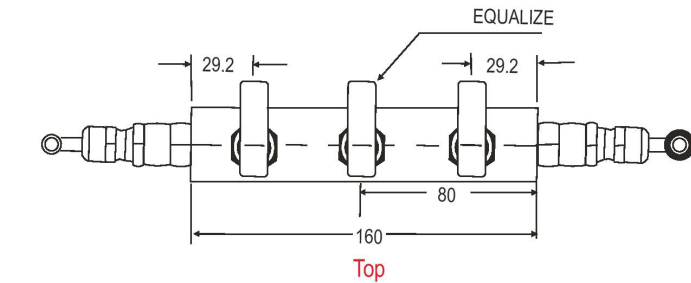
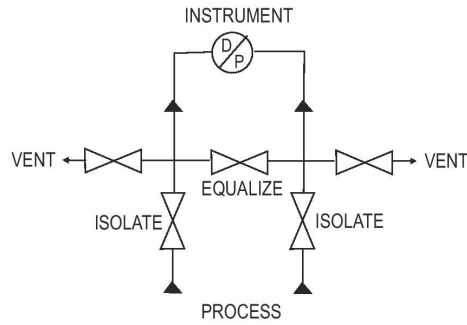
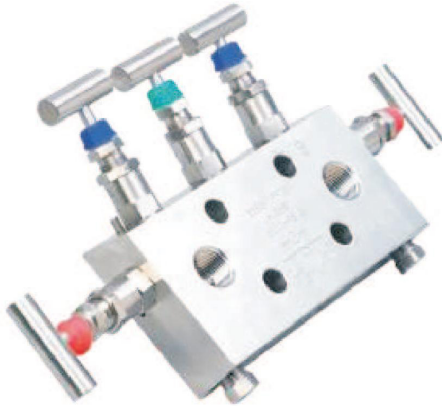


FIVE VALVE MANIFOLDS



SE-5VS

With threaded horizontal port inlets and Flange outlets. Two vent/test connections are positioned on the bottom of the body. The isolating and equalizing bonnets are angular positioned on the top side. The venting bonnets are positioned on the left & right hand side. Designed for direct mounting.



Standard connection

Product	Process side	Instrument side	Vent/Test
SE-5VS	1/2" NPT female	flange	1/4" NPT female



FIVE VALVE MANIFOLDS



Standard version specifications of model 5VP, 5VS

Body	: SS 316
Stem	: SS 316
Valve assembly	: SS 316
'T' bar handle	: SS 304
Maximum working pressure	: 6000 psi
Maximum working temperature	: 240°C
Packing	: PTFE (Grafoil to be used for temperature above 240°C till 550°C)
Type of stem	: Type CT; Stem with conical metal tip
Drain port	: 1/4" NPT [F]; provided with SS 316 plug
Chrome plating	: Provided on stem tip.

How to order : Valve Type - 5VP, 5VS

Body Material	Stem Type	Stem Packing	Size = Inlet x Outlet	Connections	Threads
C = Carbon Steel	CT(std)	P = PTFE(std)	2F = 1/4" x Flange	FD = Female x Flange(54mm)	N = NPT to ANSI B1.20.1
S = SS 316(std)	DS	G = Grafoil	4F= 1/2" x Flange	SW = Socket Weld	P = BSPPto BS2779
SL = SS 316L					B = BSPT to BS21
M = Monel 400					
H = Hastelloy C					

Options

- ! GH : Material test certificate
- ! GO : Hydrotest test certificate
- ! MBC : Mounting bolts available [7/16" UNF] in carbon steel
- ! MBS : Mounting bolts available [7/16" UNF] in SS
- ! IE : Circular plastic.
- ! TF : Sour gas service to NACE standard MR-01-75.
- ! SG : Oxygen service. (manifolds are supplied cleaned and degreased)
- ! DS : Valves with stem having soft conical and delrin tip rolled into the needle for gas service.
- ! MB : Mounting bracket

Example

To place an order simply refer to the codes in the table.

Valve Type + Body Material + Stem Type + Stem Packing + Size + Connections + Threads + Options

5VP + S + CT + P + 4F + FD + N = Final Order

NOTE:

- The weld prepared types are available with female plain end - suitable for socket weld.
- Anti-tamper bonnet - special design on request with locking arrangement if desired.

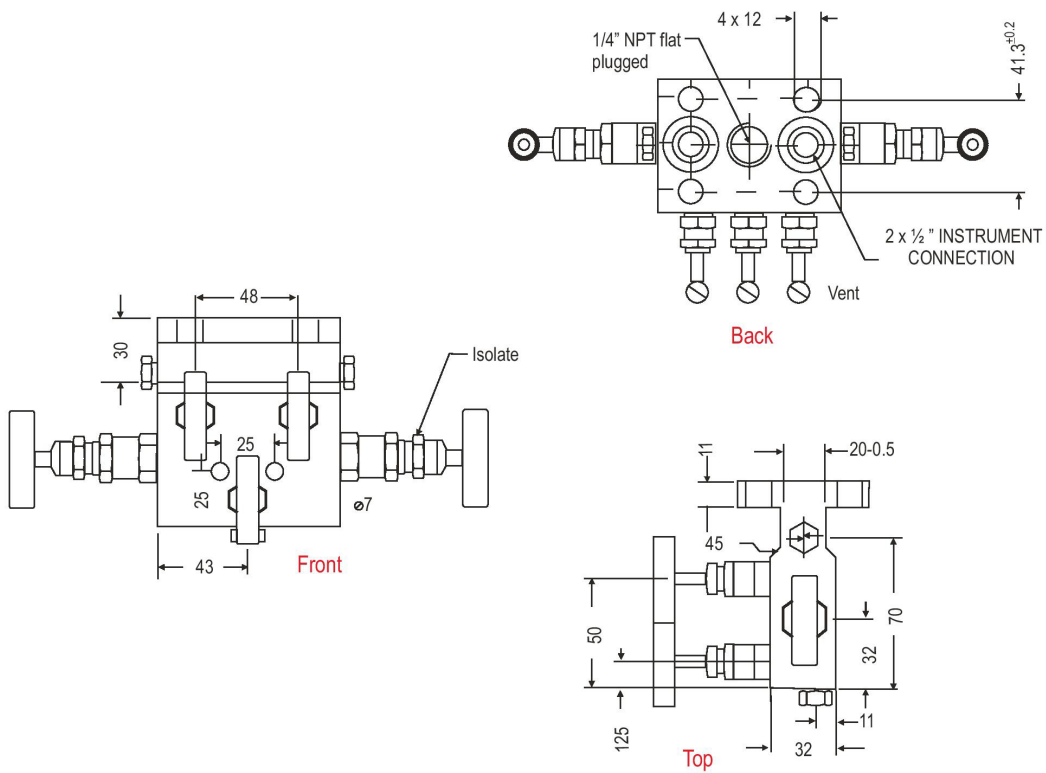
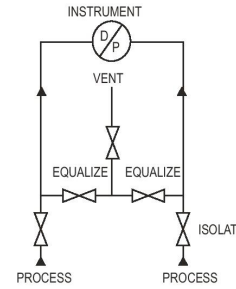
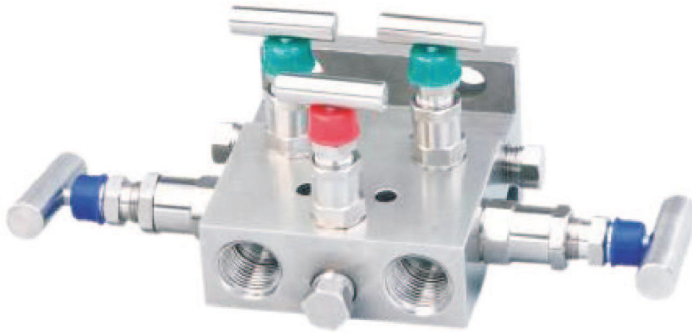


FIVE VALVE MANIFOLDS



SE-5VN

Five Valve Manifold Special model to accommodate any half DIN 19213 interface compliant pressure transmitter. 2 inlets NPT female at front and 2 outlets Flange at back side DIN 19213. Vent/teat connection at front, equalizing bonnets at top side, isolating bonnets at left and right side-venting bonnet at top.



Standard connection

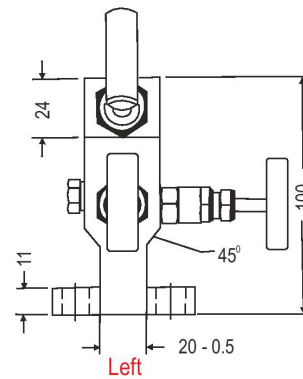
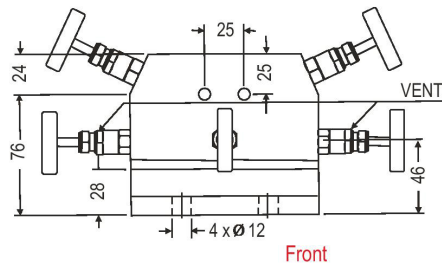
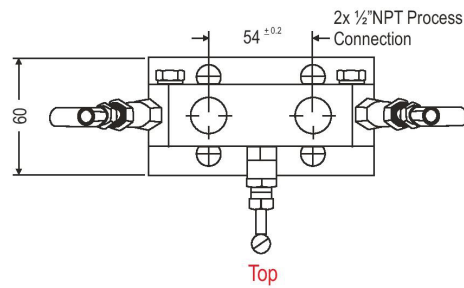
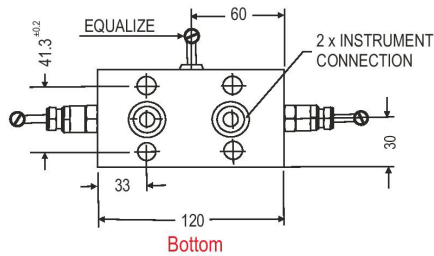
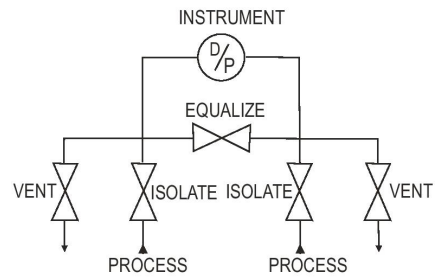
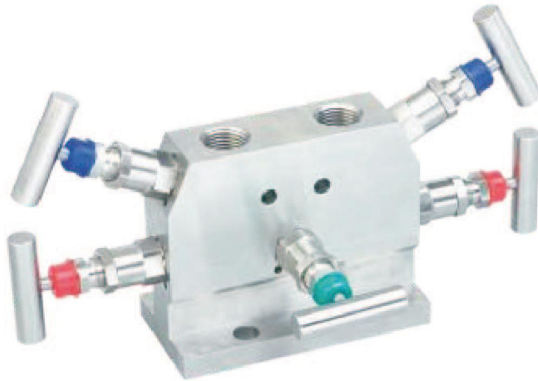
Product	Process Side	Instrument Side	Vent/Test
SE-5VN	1/2" NPT female	flanged	1/4" NPT female



FIVE VALVE MANIFOLDS

SE-5VT

With threaded horizontal port inlets and Flange port outlets. The vent/test ports are positioned on the bottom side. The isolating and venting bonnets are positioned on the left and right hand side and the equalizing bonnet is positioned on the top side. Designed for direct mounting.



Standard connection

Product	Process Side	Instrument Side	Vent/Test
SE-5VT	1/2" NPT female	flanged	1/4" NPT female

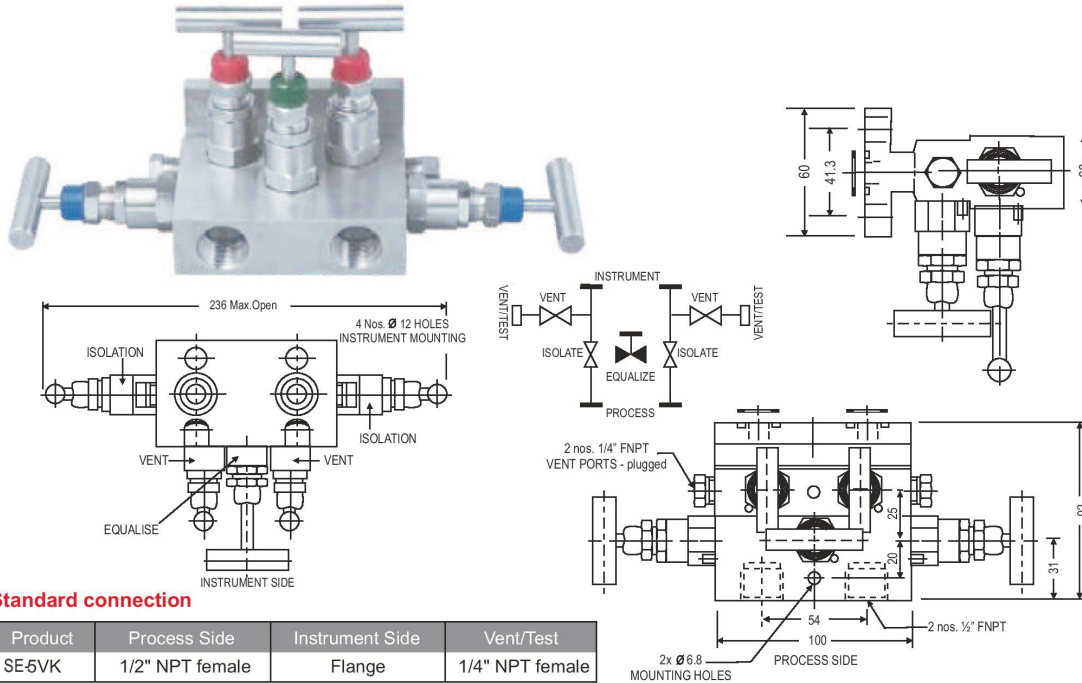


FIVE VALVE MANIFOLDS



SE-5VK

With threaded female ports on front side for instrument connection along with extended Flange for process connection. The two vent bonnets along with equalizing bonnet is positioned on the top side. The two isolation bonnets are positioned on left and right hand sides.

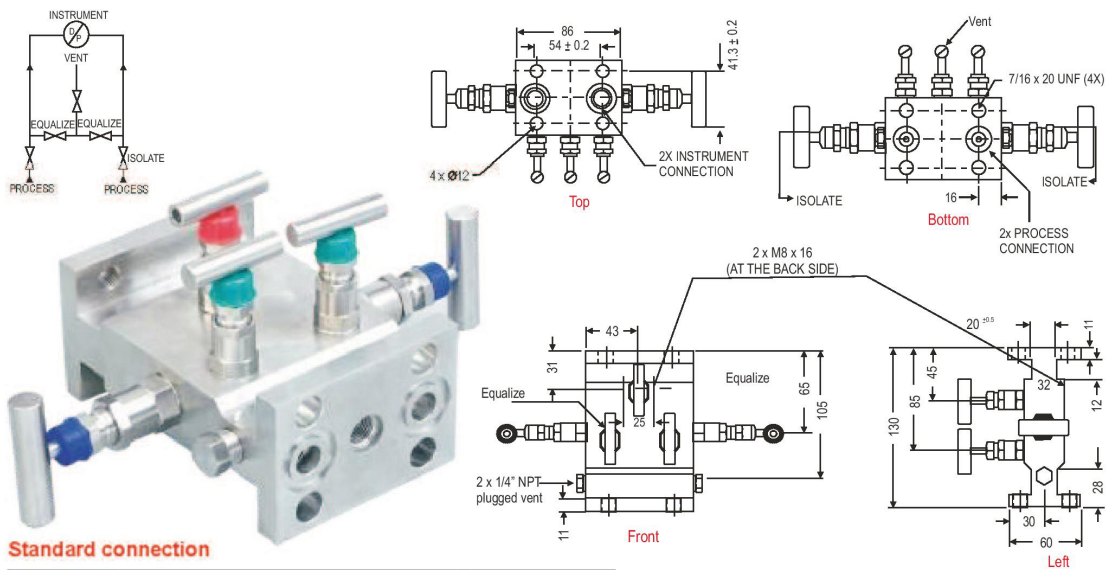


Standard connection

Product	Process Side	Instrument Side	Vent/Test
SE-5VK	1/2" NPT female	Flange	1/4" NPT female

SE-5VH

With Flange horizontal port inlets and Flange port outlets. The vent/test ports are positioned on the bottom side. The isolating and venting bonnets are positioned on the left and right hand side and the equalizing bonnet is positioned on the top side. Designed for direct mounting.



Standard connection

Product	Process Side	Instrument Side	Vent/Test
SE-5VH	Flange	Flange	1/4" NPT female



FIVE VALVE MANIFOLDS



Standard version specifications of model 5VN, 5VT, 5VK, 5VH

Body	: SS 316
Stem	: SS 316
Valve assembly	: SS 316
'T' bar handle	: SS 304
Maximum working pressure	: 6000 psi
Maximum working temperature	: 240°C
Packing	: PTFE (Grafoil to be used for temperature above 240°C till 550°C)
Type of stem	: Type CT; Stem with conical metal tip
Drain port	: 1/4" NPT [F]; provided with SS 316 plug
Chrome plating	: Provided on stem tip.

How to order : Valve Type - 5VN, 5VT, 5VK, 5VH

Body Material	Stem Type	Stem Packing	Size = Inlet x Outlet	Connections	Threads
C = Carbon Steel	CT(std)	P = PTFE(std)	4F= 1/2" x Flange	FD = Female x Flange (54mm)	N = NPT to ANSI B1.20.1
S = SS 316(std)	DS	G = Grafoil	FF= Flange x Flange	DD = Flange x Flange	P = BSP to BS2779
SL = SS 316L			2F = 1/4" x Flange	SW = Socket Weld	B = BSPT to BS21
M = Monel 400					
H = Hastelloy C					

Options

- ! GH : Material test certificate
- ! GO : Hydrotest test certificate
- ! MBC : Mounting bolts available [7/16" UNF] in carbon steel
- ! MBS : Mounting bolts available [7/16" UNF] in SS
- ! IE : Circular plastic.
- ! TF : Sour gas service to NACE standard MR-01-75.
- ! SG : Oxygen service. (manifolds are supplied cleaned and degreased)
- ! DS : Valves with stem having soft conical and delrin tip rolled into the needle for gas service.
- ! MB : Mounting bracket

Example

To place an order simply refer to the codes in the table.

Valve Type	+	Body Material	+	Stem Type	+	Stem Packing	+	Size	+	Connections	+	Threads	+	Options
5VN	+	S	+	CT	+	P	+	4F	+	FD	+	N	=	Final Order

NOTE:

- The weld prepared types are available with female plain end - suitable for socket weld.
- Anti-tamper bonnet - special design on request with locking arrangement if desired.

