

INTRUMENTATION VALVES



NEEDLE VALVE

SE-NV4

Type needle valves with hard seat are designed for use on applications requiring complete isolation or throttling of the media. The conical metal tip (Stem Type CT) press fitted ensures perfect alignment for positive bubble tight shut-off. Available with end connections in sizes from 1/8" to 1" and a wide choice in connections of female screwed, male screwed, male to female screwed or socket weld.

Pressure	:	400 bar
Max temp.	:	240°C
Material	:	Stainless Steel
Stem	:	(CT) chrome plated Conical tip press fitted hard .
Gland Packing	:	PTFE(Grafoil to be used for temperature above 240 C till 550C)
Stem packing area	:	Burnished mirror finish for Smooth valve operation.
Safety	:	Back seating for preventing stem blowout.

Size	Type	Length	Width	Ht open	Ht closed	Handle
1/8"	FxF	50	22	55	52	40
	MxF	55	22	55	52	40
	MxM	60	22	55	52	40
1/4"	FxF	55	25	63	60.5	40
	MxF	65	25	63	60.5	40
	MxM	60	25	63	60.5	40
3/8"	FxF	55	25	63	60.5	40
	MxF	65	25	63	60.5	40
	MxM	65	25	63	60.5	40
1/2"	FxF	65	32	83.6	79.6	50
	MxF	75	32	83.6	79.6	50
	MxM	70	32	83.6	79.6	50
3/4"	FxF	70	38	88.6	82.6	50
	MxF	75	38	88.6	82.6	50
	MxM	80	32	83.6	79.6	50
1"	FxF	90	45	101	96	50
	MxF	105	45	101	96	50
	MxM	105	45	101	96	50

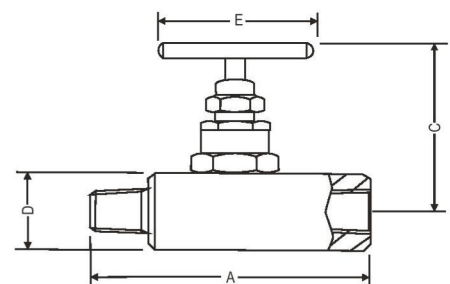
All dimensions are in mm

Applications

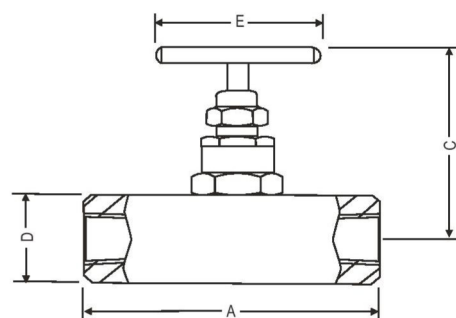
- High pressure line shut off.
- Instrument isolation.
- Gauge isolation.
- Drain valve.
- **Liquid and vapor service**

Optional : Also available High pressure valves with stem HPA for 10,000 psi pressure model no. is NV10
 Also available High pressure valves with stem V2 for 20,000 psi pressure model no. is NV20

Note : Other sizes available on request. Please contact factory for more details.



Type MF



Type FF

Needle Valve

SE-GSV

Type needle valves with soft seat types are designed for use on applications requiring complete isolation or throttling of the media and for high pressure instrument lines. Ideal for use on gas services and some liquid applications. Specially designed Delrin needle tip (stem type DS) rolled in to the stem assembly in perfect location for positive bubble tight shut-off. Available with end connections in sizes from 1/4" to 1" and a wide choice of female screwed, male to female screwed or socket weld.

Pressure	:	400 bar
Max temp. in C	:	100°C
Material	:	Stainless steel
Stem	:	(DS)Delrin Soft Needle Tip rolled into the needle
Gland Packing	:	PTFE
Stem packing area	:	Burnished mirror finish for smooth valve operation.
Safety	:	Back seating for preventing stem blowout.

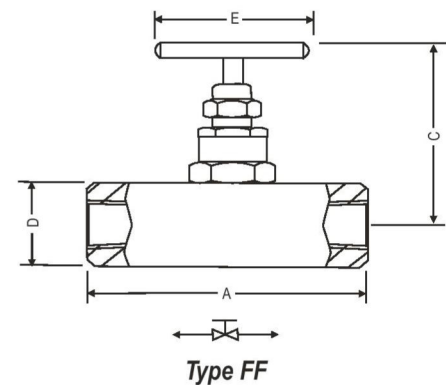
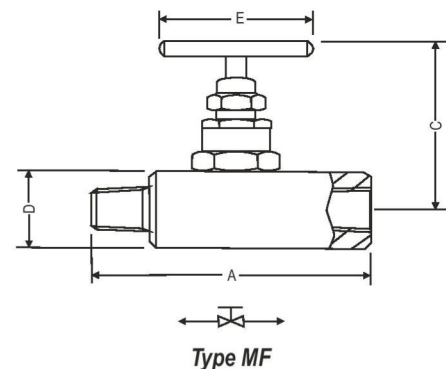


Size	Type	Length	Width	Ht open	Ht closed	Handle
1/8"	FxF	50	25	63.5	61	40
	MxF	55	25	63.5	61	40
	MxM	60	25	63.5	61	40
1/4"	FxF	55	25	63.5	61	40
	MxF	65	25	63.5	61	40
	MxM	60	25	63.5	61	40
3/8"	FxF	55	25	63.5	61	40
	MxF	65	25	63.5	61	40
	MxM	65	25	63.5	61	40
1/2"	FxF	65	32	93.5	89.5	50
	MxF	75	32	93.5	89.5	50
	MxM	70	32	93.5	89.5	50
3/4"	FxF	70	38	96.5	92.5	50
	MxF	75	38	96.5	92.5	50
	MxM	80	32	93.5	89.5	50
1"	FxF	90	45	-	-	50
	MxF	105	45	-	-	50
	MxM	105	45	-	-	50

All dimensions are in mm

Applications

- Instrument line shut off.
- Instrument isolation.
- Gauge isolation.
- Drain valve.
- Specially designed for **gas service and liquid applications.**



Note : Other sizes available on request. Please contact factory for more details.

Needle Valve

SE-RPV

Type needle valves with rising plug design meant for use in applications on fluids containing solid particles designed to give high capacity bi-directional flow with reliable bubble shut-off. The flow path of the valve is easily roddable on viscous fluid application cleaning. Available with end connections in sizes from 1/4" to 1" and a wide choice of female screwed, male to female screwed or socket weld.

Pressure : 400 bar
 Max temp. : 240°C
 Seat : Delrin
 Stem : Rising Plug (Type BD)

Replaceable soft seat which absorbs contaminants and operates in dirty service, with easy maintenance. Straight through design for high capacity bi-directional flow and rodding capabilities.

Stem packing area : Burnished mirror finish for smooth valve operation.
 Safety : Back seating for preventing stem blowout.



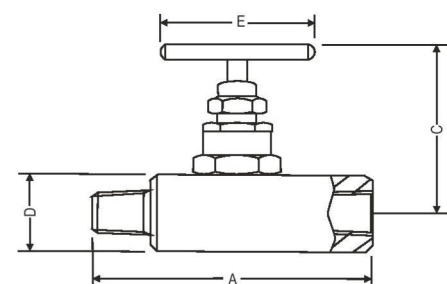
Size	Type	Length	Width	Ht open	Ht closed	Handle
1/8"	FxF	50	25	64.5	61	40
	MxF	55	25	64.5	61	40
	MxM	60	25	64.5	61	40
1/4"	FxF	55	25	64.5	61	40
	MxF	65	25	64.5	61	40
	MxM	60	25	64.5	61	40
3/8"	FxF	55	25	64.5	61	40
	MxF	65	25	64.5	61	40
	MxM	65	25	64.5	61	40
1/2"	FxF	65	32	94	87	50
	MxF	75	32	94	87	50
	MxM	80	32	94	87	50
3/4"	FxF	70	38	97	90	50
	MxF	75	38	97	90	50
	MxM	80	32	94	87	50
1"	FxF	90	45	-	-	50
	MxF	105	45	-	-	50
	MxM	105	45	-	-	50

All dimensions are in mm

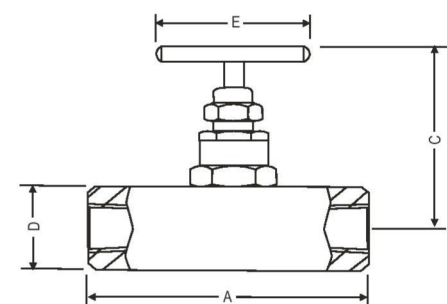
Applications

- Instrument line shut off.
- Instrument isolation.
- Gauge isolation.
- Drain / vent valve.
- **Viscous and plugging service.**

Note : Other sizes available on request. Please contact factory for more details.



Type MF



Type FF

How to order : NV4, NV10, NV20, RPV, GSV,

Needle Valve

Body Material	Stem Packing	Size = P x P1	Connections	Threads
C = Carbon Steel	P = PTFE	24 = 1/4" x 1/4"	FF = Female x Female	N = NPT to ANSI B1.20.1.
S = SS 316	G = Grafoil	33 = 3/8" x 3/8"	MF = Male x Female	P = BSPP to Bs2779
SL = SS 316L		44 = 1/2" x 1/2"	MM = Male x Male	B = BSPT to BS21
M = Monel 400		66 = 3/4" x 3/4"	SW = Socket Weld	
H = Hastelloy C		88 = 1" x 1"		
B = Brass				

Options -

IE : Handle circular plastic.

TF: Sour gas service to NACE standard MR-01-75.

SG: For Oxygen service, valves are supplied cleaned and degreased and suitably packed.

GH: Material test certificate

GO: Hydrotest test certificate

Example -

To place an order simply refer to the codes in the table.

Valve Type: Body Material + Stem Packing + Size + Connections + Threads + Options

NV4 : S + P + 44 + FF + N = Final Order

Note -

The weld prepared types are available with a male-or-female plain end - suitable for socket weld, or male butt weld end. Always specify pipe schedule and further requirements when ordering valves for welded or Flange connections. Panel mounting option for installation in racks and panels.

Standard Valve Materials

Valve	Body	Bonnet	Stem	Tip
Carbon Steel	CS A105	SS304	SS316	SS316
Stainless Steel	SS316	SS316	SS316	SS316
Monel	Alloy 400	Alloy 400	Alloy 400	Alloy K500
Sour Gas	SS316	SS316	Alloy 400	Alloy K500

NEEDLE VALVE (Special Models)

SE-NVR

with threaded inlet and outlet port. One end of the valve is provided with a rotating nut.



With Rotating End

Applications

- High pressure line shut off.
- Instrument isolation.
- Gauge isolation.
- Liquid and vapor service

SE-NV24

Needle valves are designed for use on application requiring complete isolating or throttling of the media. Available with and connection in size 1½" (NPT, BSP) and a wide choice in connection of female screwed, male screwed etc. Withstands pressure up to 400 bar.



Size 1 1/2"

Applications

- High pressure line shut off.
- Instrument isolation.
- Gauge isolation.
- Liquid and vapor service

SE-NV32

Needle valves are designed for use on application requiring complete isolating or throttling of the media. Available with and connection in size 2" (NPT, BSP) and a wide choice in connection of female screwed, male screwed etc. Withstands pressure up to 400 bar.



Size 2"

Applications

- High pressure line shut off.
- Instrument isolation.
- Gauge isolation.
- Liquid and vapor service

For Further details for above models please contact factory.

NEEDLE VALVE (Compression end)

SE-CET

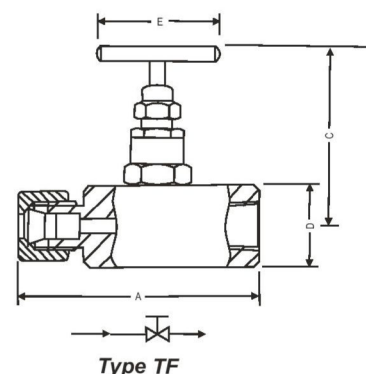
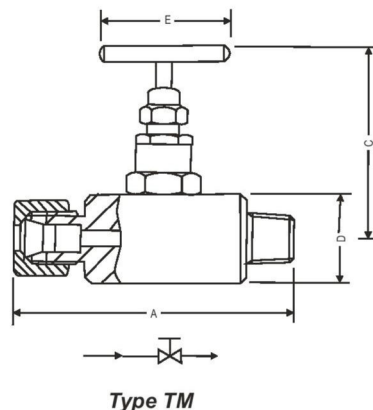
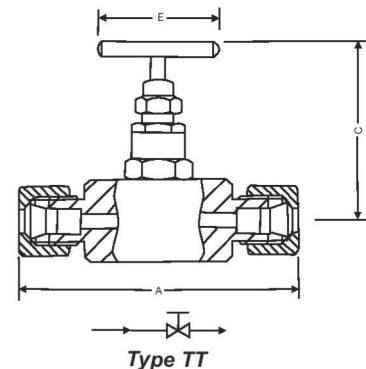
Needle Valves with compression ends designed for use on general applications requiring complete isolation and throttling of media. offered with bdm designed twin ferrules and nuts are available in imperial and metric sizes. Specially designed conical metal tip press fitted ensures perfect alignment for positive bubble tight shut-off. Available with tube end connections in sizes from 6 mm to 12 mm and 1/4" to 1/2" tube or one end screwed to male or female.

Pressure	:	400 bar
Max temp.	:	240°C
Material	:	Stainless Steel
Stem	:	(CT) Conical tip press fitted hard chrome plated.
Gland Packing	:	PTFE (Grafoil to be used for temperature above 240°C till 550°C)
Stem packing area	:	Burnished mirror finish for smooth valve operation.
Safety	:	Back seating for preventing stem blowout.



Type	Length	Width	Ht open	Ht closed	Handle
6M x 6M	65	25	63	60.5	40
8m x 8m	65	25	63	60.5	40
10Mx 10M	65	25	63	60.5	40
12M x 12M	65	32	83.6	79.6	50
1/4" od x 1/4" nptf	65	25	63	60.5	40
3/8" od x 3/8"nptf	65	25	63	60.5	40
1/2" od x 1/2"nptf	65	32	83.6	79.6	50
1/4" od or 6M x 1/4"NPTM	-	25	63	60.5	40
8m x 1/4"NPTM	-	25	63	60.5	40
3/8"od or 10M x 3/8" NPTM	-	25	63	60.5	40
1/2" od or 12M x 1/2" NPTM	-	32	83.6	79.6	50

All dimensions are in mm



Applications

- Instrument isolation
- Media throttling
- Liquid and vapour service.

Note : Other sizes available on request. Please contact factory for more details.

NEEDLE VALVE (Compression end)

SE-CEB

Needle Valves with compression ends for use in applications on fluids containing solid particles designed to give high capacity bi-directional flow with reliable bubble tight shut off. The flow path of the valve is easily roddable on viscous fluid application cleaning. Offered with bdm designed twin ferrules and nuts available in imperial and metric sizes. Available with tube end connections in sizes from 6 mm to 12 mm and 1/4" to 1/2" tube or one end screwed to male or female.

Pressure : 400 bar

Max temp. : 240°C

Stem : Rising Plug(Type BD)

Replaceable soft seat which absorbs contaminants and operates in dirty service, with easy maintenance. Straight through design for high capacity Bi-directional flow and rodding capabilities.

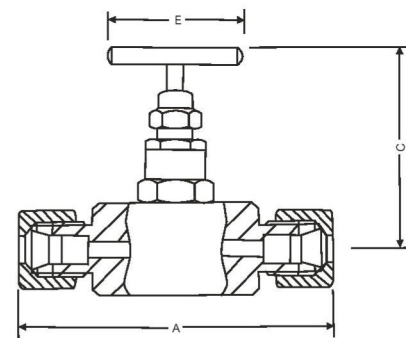
Stem packing area : Burnished mirror finish for smooth valve operation.

Safety : Back seating for preventing stem blowout.

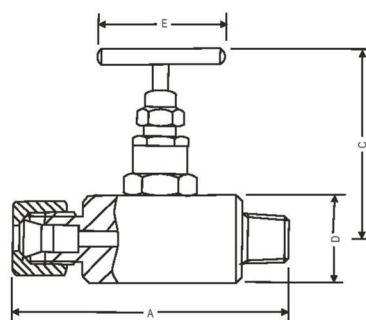


Type	Length	Width	Ht open	Ht closed	Handle
6M x 6M	65	25	64.5	61	40
8m x 8m	65	25	64.5	61	40
10Mx 10M	65	25	64.5	61	40
12M x 12M	65	32	94	87	50
1/4" od x 1/4" nptf	65	25	64.5	61	40
3/8" od x 3/8"nptf	65	25	64.5	61	40
1/2" od x 1/2"nptf	65	32	94	87	50
1/4" od or 6M x 1/4"NPTM	-	25	64.5	61	40
8m x 1/4"NPTM	-	25	64.5	61	40
3/8"od or 10M x 3/8" NPTM	-	25	64.5	61	40
1/2" od or 12M x 1/2" NPTM	-	32	94	87	50

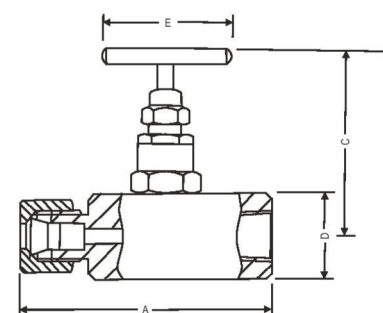
All dimensions are in mm



Type TT



Type TM



Type TF

Applications

- Instrument isolation
- Media throttling
- Liquid and vapour service.

Note : Other sizes available on request. Please contact factory for more details.

NEEDLE VALVE (Compression end)

SE-CED

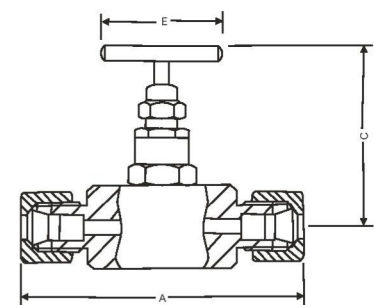
Needle Valves with compression end is specially designed for use on general applications requiring complete isolation or throttling of media. Ideal for use on gas services and some liquid applications. offered with bdm designed twin ferrules and nuts available in imperial and metric sizes. Specially designed soft Delrin needle tip rolled into the stem assembly in perfect location for positive bubble tight shut-off. Available with end connections in sizes from 6mm to 12mm and 1/4" to 1/2" tube with one end screwed to male or female.

Pressure : 400 bar
 Max temp. : 100°C
 Stem : Type (DS) Delrin soft needle tip rolled into the needle.
 Material : Stainless Steel
 Gland Packing : PTFE
 Stem packing area : Burnished mirror finish for smooth valve operation.
 Safety : Back seating for Preventing stem blowout.

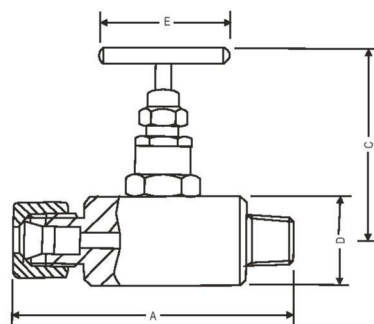


Type	Length	Width	Ht open	Ht closed	Handle
6M x 6M	65	25	63.5	61	40
8m x 8m	65	25	63.5	61	40
10Mx 10M	65	25	63.5	61	40
12M x 12M	65	32	93.5	89.5	50
1/4" od x 1/4" nptf	65	25	63.5	61	40
3/8" od x 3/8"nptf	65	25	63.5	61	40
1/2" od x 1/2"nptf	65	32	93.5	89.5	50
1/4" od or 6M x 1/4"NPTM	-	25	63.5	61	40
8m x 1/4"NPTM	-	25	63.5	61	40
3/8"od or 10M x 3/8" NPTM	-	25	63.5	61	40
1/2" od or 12M x 1/2" NPTM	-	32	93.5	89.5	50

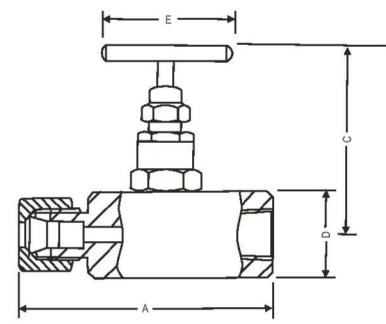
All dimensions are in mm



Type TT



Type TM



Type TF

Applications

- Instrument isolation
- Media throttling
- Liquid and vapour service.

Note : Other sizes available on request. Please contact factory for more details.

How to order : CET, CEB, CED **NEEDLE VALVE (Compression end)**

Body Material	Stem Packing	Size = P x P1	Connections	Threads
C = Carbon Steel	P = PTFE	6M = 6x6mm OD	TT = Tube x Tube	N = NPT to ANSI B1.20.1.
S = SS 316	G = Grafoil	8M = 8x8mm OD	TM = Tube x Male	P = BSPF to BS2779
SL = SS 316L		10M = 10x10mm OD	TF = Tube x Female	B = BSPT to BS21
M = Monel 400		12M = 12 x 12mm OD		
H = Hastelloy C		4T = 1/4" x 1/4" OD		
B = Brass		6T = 3/8" x 3/8" OD		
		8T = 1/2" x 1/2" OD		
		4 = 1/4"OD x 1/4" thread		
		6 = 3/8"OD x 3/8" thread		
		8 = 1/2"OD x 1/2" thread		

Options -

IE : Handle circular plastic.

TF : Sour gas service to NACE standard MR-01-75.

SG: For Oxygen service, valves are supplied cleaned and degreased and suitably packed.

GH: Material test certificate

GO: Hydrotest test certificate

Example -

To place an order simply refer to the codes in the table.

Valve Type : Body Material + Stem Packing + Size + Connections + Threads = Option

CET : C + G + 6T + TT + - = Final Order

Note -

The weld prepared types are available with a male-or-female plain end - suitable for socket weld, or male butt weld end. Always specify pipe schedule and further requirements when ordering valves for welded or Flange connections. Panel mounting option for installation in racks and panels.

Standard Valve Materials

Valve	Body	Bonnet	Stem	Tip
Carbon Steel	CS A105	SS304	SS316	SS316
Stainless Steel	SS316	SS316	SS316	SS316
Monel	Alloy 4000	Alloy 4000	Alloy 4000	Alloy 5000
Sour Gas	SS316	SS316	Alloy 4000	Alloy 5000

Block & Bleed Valve

SE-GV8

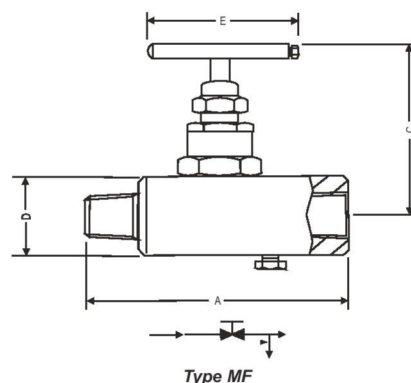
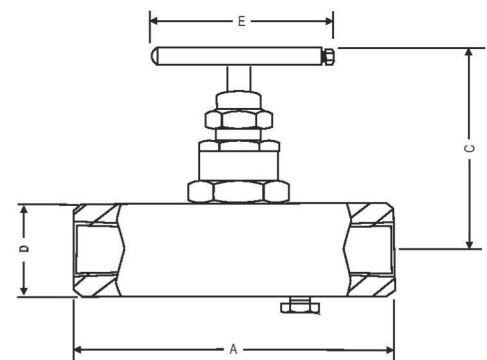
GV8 type gauge valve is a block and bleed needle pattern gauge valve with specially designed integral bleed. Ideal for use on applications requiring bleeding or venting of media. Self centering needle non-rotating, on the valve seat. The conical metal tip (stem type CT) press fitted ensures perfect alignment for positive bubble tight shut-off. Standard end connections are male inlet and female outlet or female inlet and female outlet from 1/4" to 3/4".

- Pressure : 400 bar
 Max temp. : 240°C
 Material : Stainless Steel
 Stem : (CT) Conical tip press fitted hard chrome plated.
 Gland Packing : PTFE (Grafoil to be used for temperature above 240°C till 550°C)
 Stem packing area : Burnished mirror finish for smooth valve operation.
 Safety : Back seating for Preventing stem blowout.



Size	Type	Length	Width	Ht open	Ht closed	Handle
1/4"	FxF	70	25	63	60.5	40
	MxF	70	25	63	60.5	40
	MxM	75	25	63	60.5	40
3/8"	FxF	70	25	63	60.5	40
	MxF	70	25	63	60.5	40
	MxM	75	25	63	60.5	40
1/2"	FxF	75	32	83.6	79.6	50
	MxF	83	32	83.6	79.6	50
	MxM	88	32	83.6	79.6	50
3/4"	FxF	75	38	86.6	82.6	50
	MxF	83	38	86.6	82.6	50
	MxM	88	32	83.6	79.6	50

All dimensions are in mm



Applications

- Installation of instrument and gauge.
- isolation of Instrument.
- Venting of Instrument.
- Liquid and vapour service

Optional : Also available High pressure valves with stem HPa for 10,000 psi pressure model no. is GV10
 Also available High pressure valves with stem V2 for 20,000 psi pressure model no. is GV20

Note : Other sizes available on request. Please contact factory for more details.

How to order : GV8, GV10, GV20

Block & Bleed Valve

Body Material	Stem Packing	Size	Connections (inlet x outlet)	Threads
C = Carbon Steel	P = PTFE	24 = 1/4" x 1/4"	FF = Female x Female	N = NPT to ANSI B1.20.1.
S = SS 316	G = Grafoil	33 = 3/8" x 3/8"	MF = Male x Female	P = BSPP to BS2779
SL = SS 316L		44 = 1/2" x 1/2"	MM = Male x Male	B = BSPT to BS21
M = Monel 400		66 = 3/4" x 3/4"	SW = Socket Weld	
H = Hastelloy C				
B = Brass				

Options -

IE : Handle circular plastic.

TF : Sour gas service to NACE standard MR-01-75.

SG: For Oxygen service, valves are supplied cleaned and degreased and suitably packed.

D4: 1/4" NPT (F) drain instead of M8 bleed

GH: Material test certificate

GO: Hydrotest test certificate

Example -

To place an order simply refer to the codes in the table.

Valve Type : **Body Material** + **Stem Packing** + **Size** + **Connections** + **Threads** + Option

GV8 : S + P + 44 + MF + N = Final Order

Note -

The weld prepared types are available with a male-or-female plain end - suitable for socket weld, or male butt weld end. Always specify pipe schedule and further requirements when ordering valves for welded or Flange connections. Panel mounting option for installation in racks and panels.

Standard Valve Materials

Valve	Body	Bonnet	Stem	Tip
Carbon Steel	CS A105	SS304	SS316	SS316
Stainless Steel	SS316	SS316	SS316	SS316
Monel	Alloy 400	Alloy 400	Alloy 400	Alloy K500
Sour Gas	SS316	SS316	Alloy 400	Alloy K500

Multi Port Valve

SE-MPV

Type multiport gauge valve, being a completely roddable multi-outlet gauge valve, is most suitable for viscous applications and plugging services. Useable on gauge or instrument installations without additional penetration of the main piping for versatile multiple positioning purpose. The flow path of the valve is easily roddable on viscous fluid application cleaning. Available with a male inlet and three female outlet ports or female inlet and three female outlets. Main inlet either screwed or prepared for welding. Bleed valves and plugs to suit outlet ports supplied optional.

Pressure : 400 bar

Max temp. : 240°C

Multi outlet design up to 4" for pipe insulation extended valve inlet.

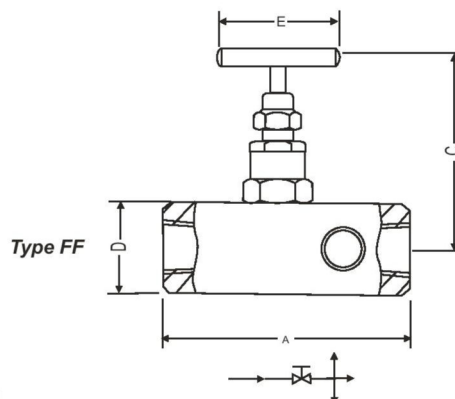
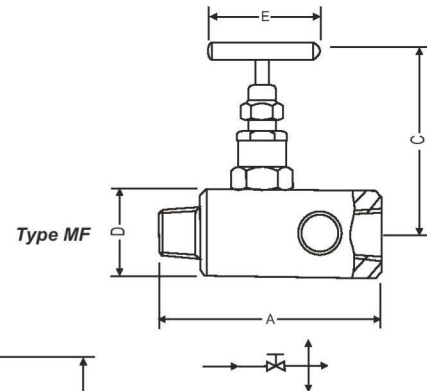
Stem : (Type BD) Replaceable soft seat which absorbs contaminants and operates in dirty service. Straight through design for high capacity bi-directional flow and rodding capabilities.

Stem packing area : Burnished mirror finish for smooth valve operation.



Size	Type	Length	Width	Ht open	Ht closed	Handle
1/4"	FxF	74	25	64.5	61	40
	MxF	84	25	64.5	61	40
3/8"	FxF	74	25	64.5	61	40
	MxF	84	25	64.5	61	40
1/2"	FxF	102	32	94	87	50
	MxF	115	32	94	87	50
3/4"	FxF	102	38	97	90	50
	MxF	115	38	97	90	50

All dimensions are in mm



Applications

- Multiple gauge or instrument mounting
- Instrument isolation
- Instrument installation with separate vents and calibrate connections
- Liquid and vapour gas service

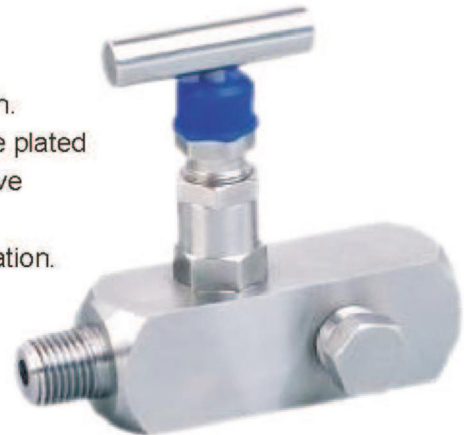
Note : Other sizes available on request. Please contact factory for more details.

Multi Port Valve

SE-MGT

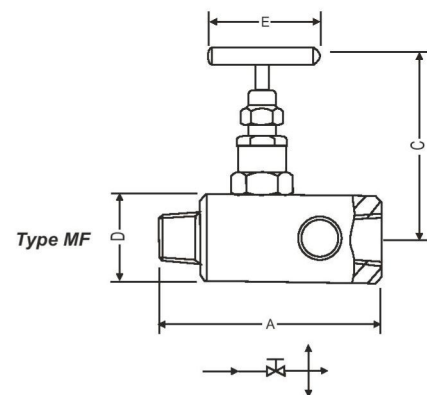
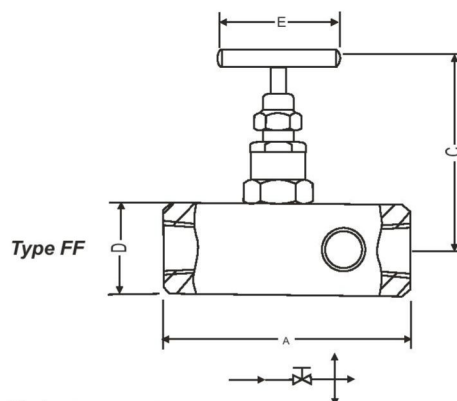
Type multiport gauge valves are ideal for use on gauge or instrument installations without further penetrations of the main piping. A gauge valve with multiple outlets and inlets with in various sizes and connections. The standard three 1/2" NPT female screwed outlet ports offer a flexibility of alternative applications. Available with a male inlet and three female outlet ports or female inlet and three female outlets. Bleed valves and plugs to suit outlet ports supplied optional.

- Pressure : 400 bar
- Max temp. : 240°C
- Multi outlet design extended valve inlet up to 4" max. for pipe insulation.
- Stem : (Type CT) Conical tip press fitted hard chrome plated
- Gland Packing : PTFE (Grafoil to be used for temperature above 240°C till 550° C)
- Stem packing area : Burnished mirror finish for smooth valve operation.
- Safety : Back seating for preventing stem blowout.



Size	Type	Length	Width	Ht open	Ht closed	Handle
1/4"	FxF	74	25	63	60.5	40
	MxF	84	25	63	60.5	40
3/8"	FxF	74	25	63	60.5	40
	MxF	84	25	63	60.5	40
1/2"	FxF	102	32	83.6	79.6	50
	MxF	115	32	83.6	79.6	50
3/4"	FxF	102	38	86.8	82.6	50
	MxF	115	38	86.6	82.6	50

All dimensions are in mm



Applications

- Mounting of instruments or multiple gauges
- Instrument isolation
- Instrument installation with separate vents and calibrate connections
- Liquid and vapour gas service

Optional : Also available High pressure valves with stem HPa for 10,000 psi pressure model no. is MGT10
Also available High pressure valves with stem V2 for 20,000 psi pressure model no. is MGT20

Note : Other sizes available on request. Please contact the factory for more details.

How to order : MPV, MGT, MGT10, MGT20

Multi Port Valve

Body Material	Stem Packing	Size = P x P1	Connections	Threads
C = Carbon Steel	P = PTFE	24 = 1/4" x 1/4"	FF = Female x Female	N = NPT to ANSI B1.20.1.
S = SS 316	G = Grafoil	44 = 1/2" x 1/2"	MF = Male x Female	P = BSPP to BS2779
SL = SS 316L		46 = 1/2" x 3/4"	SW = Socket Weld	B = BSPT to BS21
M = Monel 400		64 = 3/4" x 1/2"	FL = Female x extended long body end	
H = Hastelloy C		66 = 3/4" x 3/4"		
B = Brass				

Options -

IE : Handle circular plastic.

TF : Sour gas service to NACE standard MR-01-75.

SG: For Oxygen service, valves are supplied cleaned and degreased and suitably packed.

GH: Material test certificate

GO: Hydrotest test certificate

Example -

To place an order simply refer to the codes in the table.

Valve Type : **Body Material** + **Stem Packing** + **Size** + **Connections** + **Threads** + Option

MGT : S + P + 44 + MF + N = Final Order

Note -

The weld prepared types are available with a male-or-female plain end - suitable for socket weld, or male butt weld end. Always specify pipe schedule and further requirements when ordering valves for welded or Flange connections. Panel mounting option for installation in racks and panels.

Standard Valve Materials

Valve	Body	Bonnet	Stem	Tip
Carbon Steel	CS A105	SS304	SS316	SS316
Stainless Steel	SS316	SS316	SS316	SS316
Monel	Alloy 4000	Alloy 4000	Alloy 4000	Alloy 5000
Sour Gas	SS316	SS316	Alloy 4000	Alloy 5000

Miniature Valve

SE-Y2

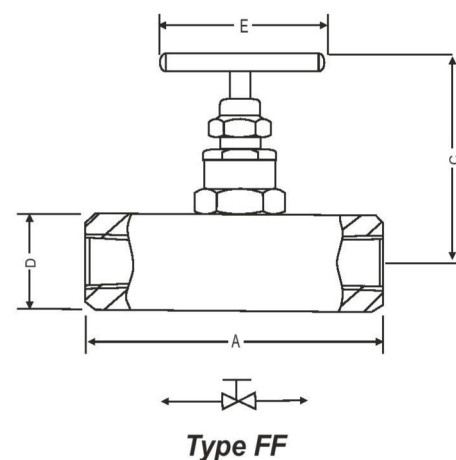
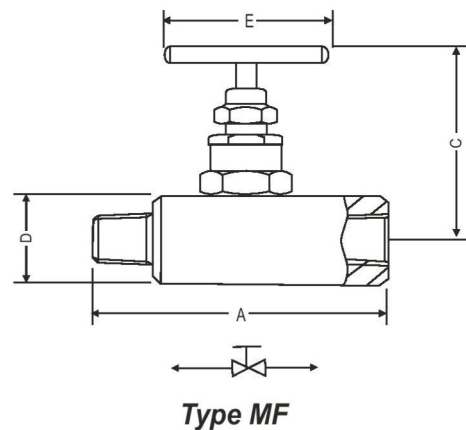
Type miniature compact design needle valves are ideal for bubble tight shut-off in applications where space is at a premium. The mini series are available with metal to metal low torque seating (Stem Type YS). Available with end connections in sizes 1/8" to 1/4" and as pipe connections.

Pressure : 200 bar
 Max temp. : 240°C
 Metal to metal seating Material Stainless Steel
 Gland Packing : PTFE
 Stem packing area : Burnished mirror finish for smooth valve operation.
 Safety : Back seating for preventing stem blowout.



Size	Type	Length	Width	Ht open	Ht closed	Handle
1/8"	FxF	50	22	56	54	40
	MxF	56	22	56	54	40
	MxM	60	22	56	54	40
1/4"	FxF	55	22	56	54	40
	MxF	65	22	56	54	40
	MxM	60	22	56	54	40

All dimensions are in mm



Applications

- Instrument air lines
- Control panels
- Air header assemblies
- Gas sampling
- Laboratory equipment
- Instrument isolation
- Control loops
- Gas and liquid service

Note : Other sizes available on request. Please contact the factory for more details.

How to order : Y2

Miniature Valve

Body Material	Stem Packing	Size = P x P1	Connections	Threads
S = SS 316	P = PTFE	22 = 1/8" x 1/8"	FF = Female x Female	N = NPT to ANSI B1.20.1.
SL = SS 316L		24 = 1/4" x 1/4"	MF = Male x Female	P = BSPP to Bs2779
B = Brass			MM = Male x Male	B = BSPT to BS21

Options -

IE : Handle circular plastic.

TF : Sour gas service to NACE standard MR-01-75.

SG: For Oxygen service, valves are supplied cleaned and degreased and suitably packed.

GH: Material test certificate

GO: Hydrotest test certificate

Example

To place an order simply refer to the codes in the table.

Valve Type : Body Material + Stem Packing + Size + Connections + Threads + Option

Y2 : S + P + 24 + FF + N = Final Order

Note -

The weld prepared types are available with a male-or-female plain end - suitable for socket weld, or male butt weld end. Always specify pipe schedule and further requirements when ordering valves for welded or Flange connections. Panel mounting option for installation in racks and panels.

Standard Valve Materials

Valve	Body	Bonnet	Stem	Tip
Carbon Steel	CS A105	SS304	SS316	SS316
Stainless Steel	Ss316	Ss316	Ss316	Ss316

Angle Valve

SE-AVS

Type angle pattern needle valve designed for use on general applications requiring complete isolation or throttling of the media. Ideal for use on gas services and some liquid applications. Produce as standard angle body at 90 degrees. Angle body 45 degrees optional. Specially designed soft Delrin needle tip (type **DS**) rolled in to the stem assembly in perfect location for positive bubble tight shut-off. Available with end connections in sizes from 1/4" to 1/2" and a wide choice of female screwed, male to female screwed or socket weld.

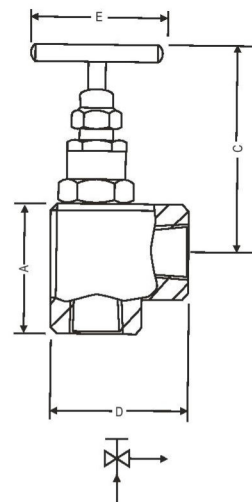
Pressure	: 400 bar
Max temp.	:100°C
Material	:Stainless steel
Stem	:(Type DS) Delrin Soft Needle Tip rolled into the needle
Gland Packing	:PTFE
Stem packing area	:Burnished mirror finish for smooth valve operation.
Safety	:Back seating for Preventing stem blowout.



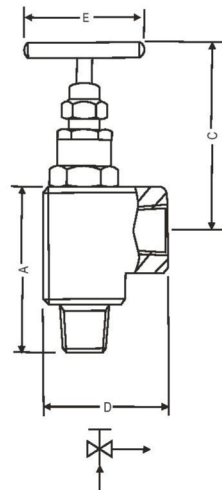
Size	Type	Body dimensions	Ht open	Ht closed	Handle
1/4"	FxF	32x32x25	63	60.5	40
	MxF	48x32x25	63	60.5	40
	MxM	48x48x25	63	60.5	40
3/8"	FxF	32x32x25	63	60.5	40
	MxF	48x32x25	63	60.5	40
	MxM	48x48x25	63	60.5	40
1/2"	FxF	50x50x32	95.5	91	50
	MxF	70x50x32	95.5	91	50
	MxM	70x70x32	95.5	91	50

All dimensions are in mm

Type FF



Type M F



Applications

- Instrument line shut off.
- Instrument and gauge isolation.
- Drain valve.
- Specially designed for gas service.

Note : Other sizes available on request. Please contact the factory for more details.

Angle Valve

SE-AVT

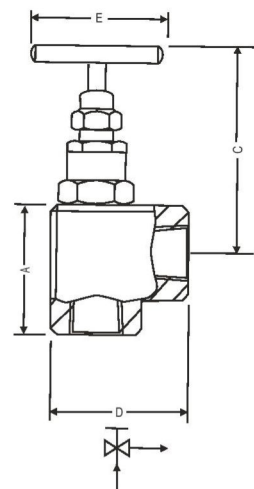
Type angle pattern needle valves designed for use on general applications requiring complete isolation and throttling of media. Produced as standard angle body at 90 degrees. Specially designed conical metal tip (type CT) ensures perfect alignment for positive bubble tight shut-off. Available with end connections in sizes from 1/4" to 1/2" and a wide choice of female screwed, male to female screwed or socket weld.

Pressure	:	400 bar
Max temp.	:	240°C
Needle Tip	:	Stainless Steel
Material	:	Stainless Steel
Stem	:	(Type CT) Conical tip press fitted hard chrome plated
Gland Packing	:	PTFE (Grafoil to be used for temperature above 240C till 550C)
Stem packing area	:	Burnished mirror finish for smooth valve operation.
Safety	:	Back seating for preventing stem blowout.

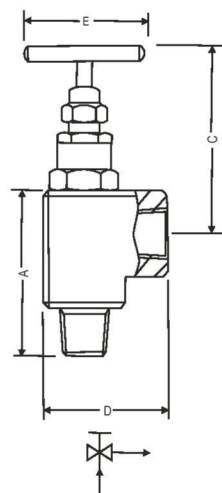


Size	Type	Body dimensions	Ht open	Ht closed	Handle
1/4"	FxF	32x32x25	62	59.5	40
	MxF	48x32x25	62	59.5	40
	MxM	48x48x25	62	59.5	40
3/8"	FxF	32x32x25	62	59.5	40
	MxF	48x32x25	62	59.5	40
	MxM	48x48x25	62	59.5	40
1/2"	FxF	50x50x32	86.6	82.6	50
	MxF	70x50x32	86.6	82.6	50
	MxM	70x70x32	86.6	82.6	50

All dimensions are in mm



Type FF



Type M F

Applications

- High pressure instrument line shut off
- Instrument and gauge isolation.
- Drain valve.
- Liquid and vapour service.

Note : Other sizes available on request. Please contact the factory for more details.

How to order : AVS, AVT

Angle Valve

Body Material	Stem Packing	Size = P x P1	Connections	Threads
C = Carbon Steel	P = PTFE	24 = 1/4" x 1/4"	FF = Female x Female	N = NPT to ANSI B1.20.1.
S = SS 316	G = Grafoil	33 = 3/8" x 3/8"	MF = Male x Female	P = BSPP to BS2779
SL = SS 316L		44 = 1/2" x 1/2"	MM = Male x Male	B = BSPT to BS21
M = Monel 400			SW = Socket Weld	
H = Hastelloy C				
B = Brass				

Options -

IE : Handle circular plastic.

TF : Sour gas service to NACE standard MR-01-75.

SG: For Oxygen service, valves are supplied cleaned and degreased and suitably packed.

GH: Material test certificate

GO: Hydrotest test certificate

Example -

To place an order simply refer to the codes in the table.

Valve Type : **Body Material** + **Stem Packing** + **Size** + **Connections** + **Threads** + Option

AVS : H + G + 44 + MM + N = Final Order

Note -

The weld prepared types are available with a male-or-female plain end - suitable for socket weld, or male butt weld end. Always specify pipe schedule and further requirements when ordering valves for welded or Flange connections. Panel mounting option for installation in racks and panels.

Standard Valve Materials

Valve	Body	Bonnet	Stem	Tip
Carbon Steel	CSA 105	SS304	SS316	SS316
Stainless Steel	SS316	SS316	SS316	SS316
Monel	Alloy 4000	Alloy 4000	Alloy 4000	Alloy 5000
Sour Gas	SS316	SS316	Alloy 4000	Alloy 5000